

# GP2A25J0000F Series

Detecting Distance : 1 to 9mm  
 \*OPIC Output,  
 Reflective Photointerrupter with  
 Connector



## ■ Description

**GP2A25J0000F Series** are OPIC output, reflective photointerrupters with emitter and detector facing the same direction in a molding that provides non-contact sensing. This family of devices uses light modulation to reduce the affects of disturbing light, and the sensor is optimized to work in the selected focal distance. A 3-pin connector is included to allow remote-mount or off-board designs.

## ■ Features

1. Reflective with OPIC Light Modulated Output
2. Highlights :
  - Includes additional screw fixing holes
  - Position pin to prevent mis-alignment
  - Short focal distance
3. Key Parameters:
  - Detecting distance : 1 to 9mm (White paper)  
3 to 7mm (Black paper)
  - Undetecting distance : over 27mm (White paper)
  - Connector : **GP2A25J0000F** ; Tyco Electronics AMP K.K.  
(PN : 292133-3)  
**GP2A25DJ000F** ; Tyco Electronics AMP K.K.  
(PN : 292133-3)  
**GP2A25NJJ00F** ; Tyco Electronics AMP K.K.  
(PN : 4-292133-3)
4. RoHS directive compliant

## ■ Agency approvals/Compliance

1. Compliant with RoHS directive

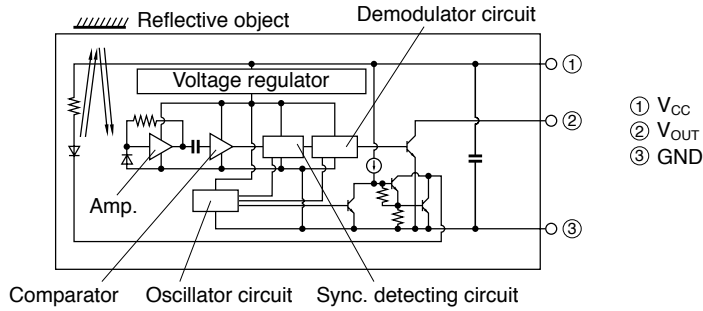
## ■ Applications

1. General purpose detection of paper presence or motion.
2. Example : PPC, FAX, Printer

\* "OPIC"(Optical IC) is a trademark of the SHARP Corporation. An OPIC consists of a light-detecting element and a signal-processing

Notice The content of data sheet is subject to change without prior notice.  
 In the absence of confirmation by device specification sheets, SHARP takes no responsibility for any defects that may occur in equipment using any SHARP devices shown in catalogs, data books, etc. Contact SHARP in order to obtain the latest device specification sheets before using any SHARP device.

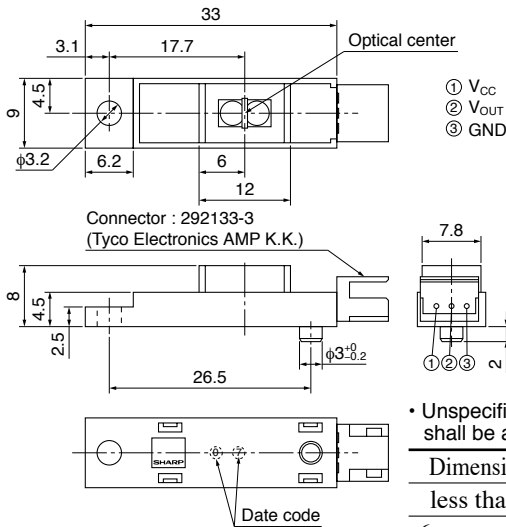
**Internal Connection Diagram**



**Outline Dimensions**

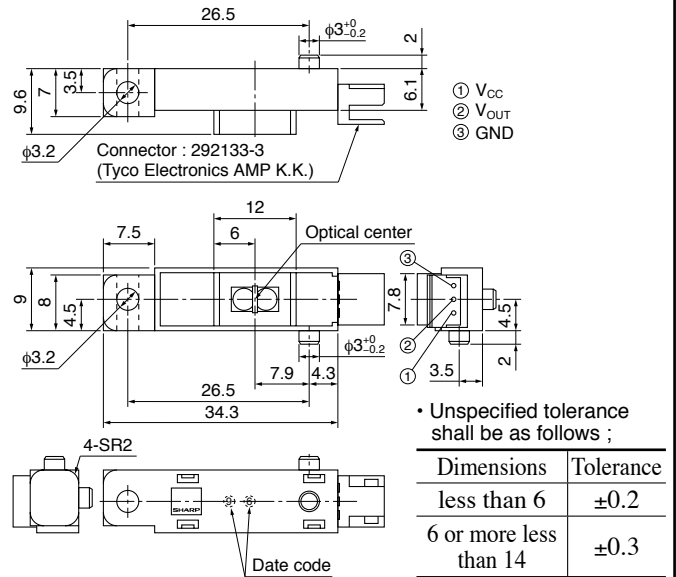
(Unit : mm)

**GP2A25J0000F**



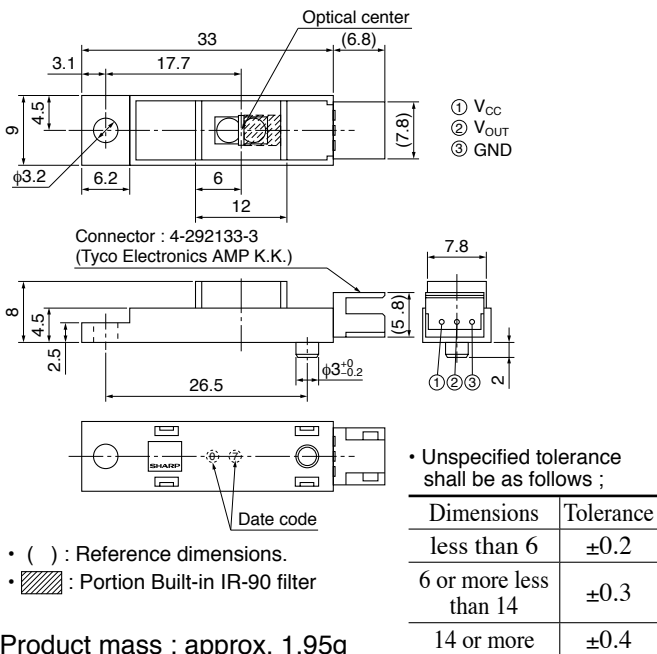
Product mass : approx. 1.95g

**GP2A25DJ000F**



Product mass : approx. 2.4g

**GP2A25NJ00F**



Product mass : approx. 1.95g

Connector terminal plating material : Sn