



Main

Range of product	OsiSense XU
Series name	Application packaging
Electronic sensor type	Photo-electric sensor
Sensor name	XUV
Sensor design	Fork
Detection system	Thru beam
Emission	Infrared
Type of setting	Without
Passage width	2 mm
Passage depth	50 mm
Material	Metal
Supply circuit type	DC
Wiring technique	3-wire
Discrete output type	PNP and NPN
Discrete output function	2 NO/NC programmable
Electrical connection	1 male connector M8 adjustable through 90°, 4 pins
Product specific application	Detection of labels
[Sn] nominal sensing distance	2 mm

Complementary

Setting-up	Teach mode
Enclosure material	Zinc alloy
Lens material	Glass
Type of output signal	Discrete
Output type	Solid state
Status LED	1 LED (yellow) for output state 1 LED (green) for sensor ready 1 LED (red) for read error
[Us] rated supply voltage	12...24 V DC with reverse polarity protection
Supply voltage limits	10...30 V DC
Switching capacity in mA	<= 100 mA (overload and short-circuit protection)
Switching frequency	<= 25 kHz

Voltage drop	<= 1.5 V (closed state)
Output clamping resistor	10 kOhm
Current consumption	<= 50 mA (no-load)
Delay first up	<= 30 ms
Delay response	< 0.1 ms
Delay recovery	< 0.1 ms
Depth	90 mm
Height	20 mm
Width	20 mm
Product weight	0.085 kg

Environment

Product certifications	CE
Ambient air temperature for operation	0...55 °C
Ambient air temperature for storage	-20...70 °C
Vibration resistance	7 gn, amplitude = +/- 1.5 mm (f = 10...55 Hz) conforming to IEC 60068-2-6
Shock resistance	30 gn (duration = 11 ms) conforming to IEC 60068-2-27
IP degree of protection	IP65 conforming to IEC 60529

Offer Sustainability

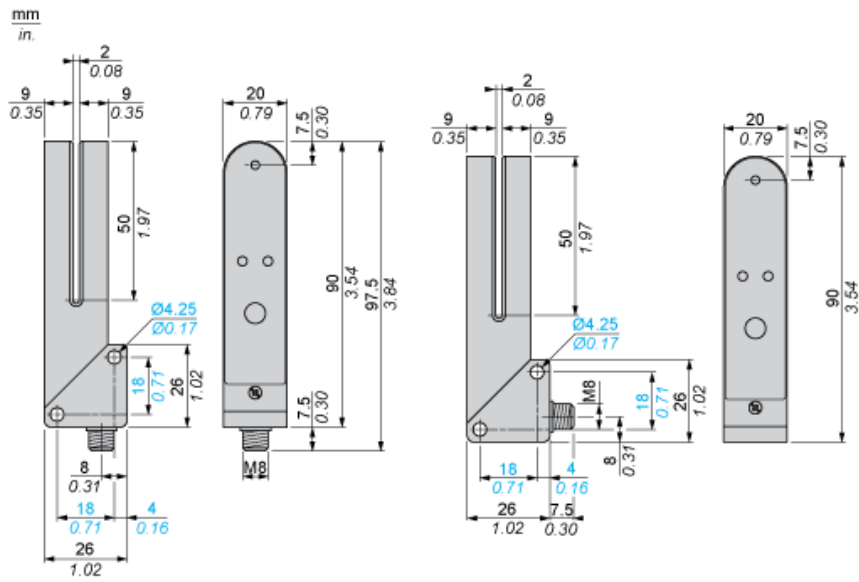
RoHS (date code: YYWW)	Compliant - since 0623 - Schneider Electric declaration of conformity Schneider Electric declaration of conformity
------------------------	---------------------------------------------------------------------------------------------------------------------------------------

Contractual warranty

Warranty period	18 months
-----------------	-----------

Dimensions

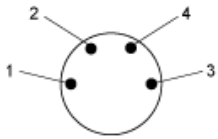
M8 Connector Adjustable Through 90°



Connector Scheme

3-wire, PNP and NPN

NO or NC Programmable Function



- 1 : +
- 2 : NPN Output
- 3 : -
- 4 : PNP Output