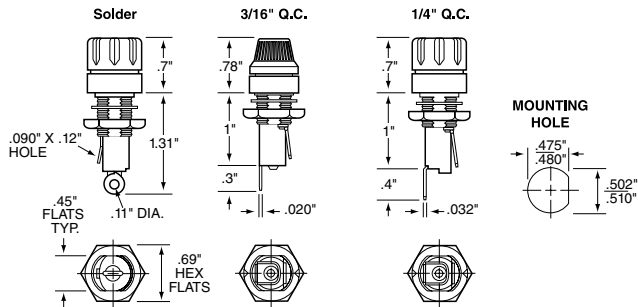


**342 Series Panel Mount Enclosed Fuse Holders for 3AG Fuses**

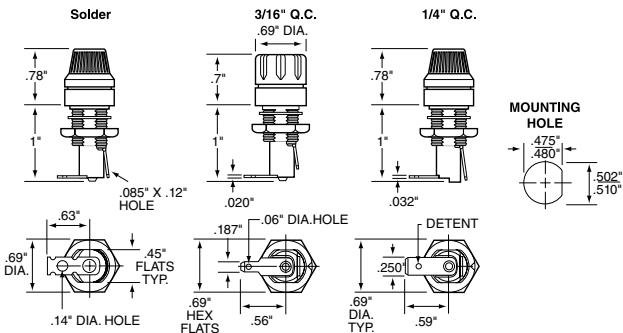


**Dimensions**

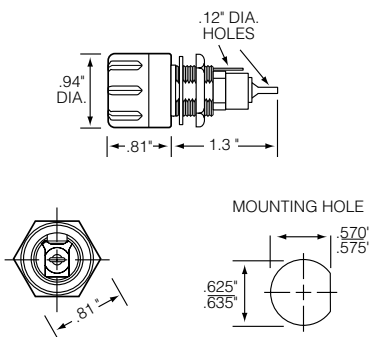
General Application / Straight Terminal Product Dimensions



General Application / Right Angle Terminal Product Dimensions



Watertight Product Dimensions



**Product Characteristics**

	General Application Products	Watertight Product
<b>Compatible Fuses</b>	3AG	
<b>Electrical</b>	Rated at 20 amperes for any voltage up to 250 volts.	
<b>Ambient Temperature</b>	-40°C to +85°C.	
<b>Dielectric Strength</b>	2400 volts minimum.	1500 volts minimum.
<b>Mounting</b>	Withstands 15 lb.-in. mounting torque; maximum panel thickness: .187\".	Withstands 15 lb.-in. mounting torque; maximum panel thickness is .250\".
<b>Molded Parts</b>	Black thermoplastic (UL94 V-0).	Black thermoset (UL94 V-0).
<b>Seal</b>	Not Applicable	O-ring provides a watertight seal on the front side of the panel per MIL-PRF-19207.
<b>Terminals</b>	Copper & copper alloy. Tin plated, except 1/4\" Quick-Connect terminals are nickel plated.	Copper & copper alloy. Tin plated.
<b>Hardware</b>	Comes with a mounting nut and neoprene washer	O-rings (2) and hex nut, unassembled.

**Agency Approvals**

Agency	Agency File Number
	IZLT2.E14721
	007316 (*Except 342 006 and 342 012)

**Ordering Information**

	Body Terminal Type		Catalog Number	
	Angle	Connect	Fluted Knob	Knurled Knob
<b>General Application Products:</b>				
Straight	Solder		<b>342 014</b>	<b>342 012 *</b>
	3/16\" Q.C.		<b>342 038</b>	<b>342 058</b>
	1/4\" Q.C.		<b>342 838</b>	<b>342 858</b>
Right Angle	Solder		<b>342 004</b>	<b>342 022</b>
	3/16\" Q.C.		<b>342 028</b>	<b>342 048</b>
	1/4\" Q.C.		<b>342 828</b>	<b>342 848</b>
<b>Watertight Product:</b>				
Straight	Solder		<b>342 006 *</b>	Not Applicable

NOTE: Ensure that proper fuse de-rating is factored in fuseholder selection.

**Additional Information**



Datasheet



Resources



Samples