

TECHNICAL DATA

	CMS10	CMS10I
Size	10x38	10x38
Number of poles/phases	1, 1+N, 2, 3, 3+N, 4	1, 1+N, 2, 3, 3+N, 4
Conventional free air thermal current with fuse links I _{th}	32 A	32 A
Power dissipation at I _{th}	3 W	3 W
Utilisation category	AC20B/DC20B	AC20B/DC20B
Rated insulation voltage U _i	690 V	690 V
SCCR	200 kA	200 kA
Rated impulse withstand voltage U _{imp}	6 kV	6 kV
Degree of protection	IP 20	IP 20
Voltage limit for blown fuse indicator	-	230 to 690V AC/DC
Indication System	-	with indicator
Connection	Max. tightening torque: 2.2Nm (19lbs.-in) Rigid wire = 1-16mm ² (16-6AWG) Multistrand wire = 0.75-10mm ² (18-8AWG) PZ2 or flat 5.5x1mm screw drivers recommended (max. diameter 6mm)	Max. tightening torque: 2.2Nm (19lbs.-in) Rigid wire = 1-16mm ² (16-6AWG) Multistrand wire = 0.75-10mm ² (18-8AWG) PZ2 or flat 5.5x1mm screw drivers recommended (max. diameter 6mm)
Operating temperature	-25°C to 60°C	-25°C to 60°C
Storage temperature	-25°C to 80°C	-25°C to 80°C
Vibration	Withstand on the 3 main axis*: Sinusoidal vibration testing according to IEC 60068-2-6 2 to 13Hz x= 1 mm peak 13 to 100Hz y= 0.7g peak according to french marine application Random vibration testing according to IEC 61373 Category 1 Class B	Withstand on the 3 main axis*: Sinusoidal vibration testing according to IEC 60068-2-6 2 to 13Hz x= 1 mm peak 13 to 100Hz y= 0.7g peak according to french marine application Random vibration testing according to IEC 61373 Category 1 Class B
Shock	Shock testing according to IEC 61373 Category 1 Class B Shock testing according to IEC 60068-2-27 15g/11ms/18 shocks * for specific usage please contact us	Shock testing according to IEC 61373 Category 1 Class B Shock testing according to IEC 60068-2-27 15g/11ms/18 shocks * for specific usage please contact us

SPECIFIC USAGE CONDITIONS

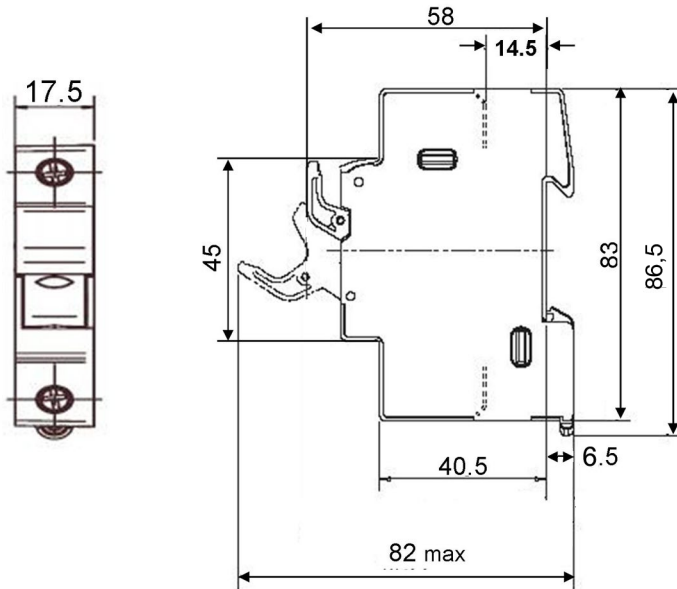
Ambient temperature	>20°C	30°C	40°C	50°C	60°C
Derating factor (I _e)	1	0.95	0.9	0.8	0.7

No of poles (side by side)	1 to 3	>= 4
Derating factor of current (I _{th})	1	0.9

Nominal current of fuse-link gR	20 A	25 A	30 A	32 A
Max. operational current in fuse-holder	19 A	22 A	25 A	27 A
Cable wire section	2.5 mm ²	4 mm ²	6 mm ²	6 mm ²

DIMENSIONS

Modulostar® CMS10 fuse-holders for cylindrical fuse-links class 10x38mm



Dimensions in mm

ACCESSORIES



CMS8010PAK + fuse-holder

Kit for multi phase connection

Catalog number	Reference number	Description	Weight	Package
CMS810PAK	Z233725	Links for connection of multipole units	0.5 g	12



TAGLOCKCMS810

LOCK

Locking devices

Catalog number	Reference number	Description	Weight	Package
TAGLOCKCMS810	A235773	Locking kit (Tag and lockout)	9 g	1
LOCK	M223525	Padlock	0.475 kg	1

MERSEN reserves the right to change, update or correct, without notice, any information contained in this datasheet.