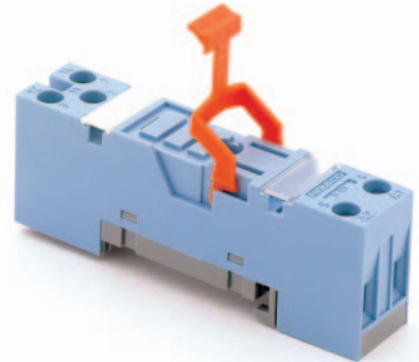


# IRC series

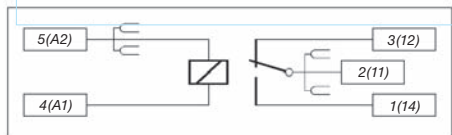
## S10

### Socket for Interface relay

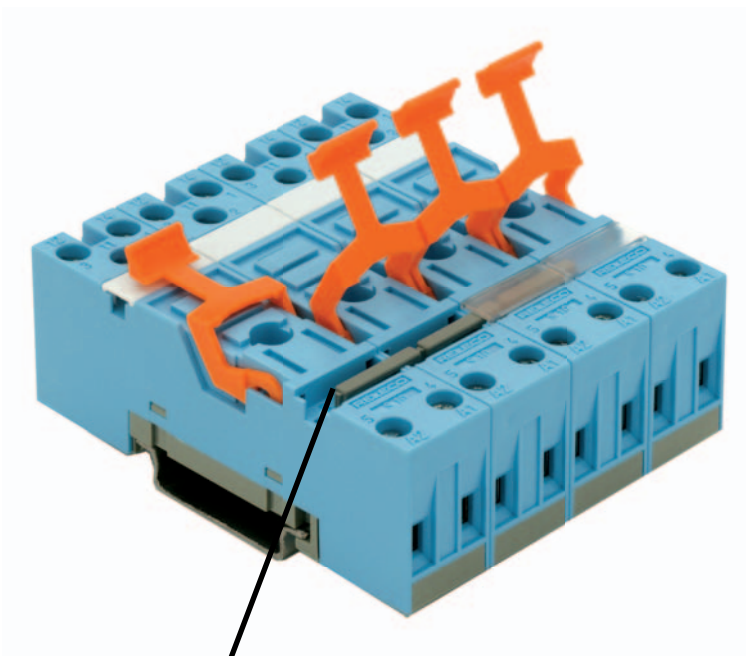
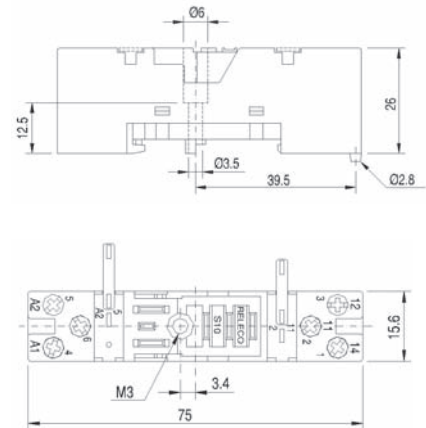
<b>Type</b>	<b>S10</b> 1-pole, 1 connection level Logic wiring Integrated retaining clip and labelling space Coil bridge bar for A2, 11
<b>Rated current</b>	<b>10 A</b>
<b>Specifications</b>	
Rated load	10 A/250 V
Insulation	Test voltage V rms 1 min 5 kV
- All terminals/DIN rail	
Cross-section of connecting wire	
- Single-wire	4 mm <sup>2</sup> or 2 x 2,5 mm <sup>2</sup>
- Multi-wire	22 - 14 AWG
Max. screw torque	1,2 Nm
Screw dimensions	M3, Pozi, slot
Integrated retaining clip/plastic	for relay series C10, CSS
Labelling space	detachable
Connection label	1...5; DIN/EN
Mounting	DIN rail TS35 or mounting plate
Ambient temperature operation/storage	-40 (no ice)...60 °C / -40 ... 80 °C
<b>Socket for plug-in 10A IRC relays</b>	<b>C10-A, C10-T, CSS</b>
<b>Accessories</b>	
Coil bridge bars	<b>S10-BB</b>



#### Connection diagram



#### Dimensions [mm]



BRIDGE BAR

#### Technical approvals, conformities



EN 60947-1, EN 61810-5



**Kühn Controls AG**

**Notes:**

You want more information about this product, please call us: tel: +49 (0)7082-940000 or send us a fax: +49 (0)7082-940001, or email: [sales@kuehn-controls.de](mailto:sales@kuehn-controls.de) or visit our Website: [www.kuehn-controls.de](http://www.kuehn-controls.de)