

Magnetic rotary hollow-shaft position sensor

Contactless sensor PST-360

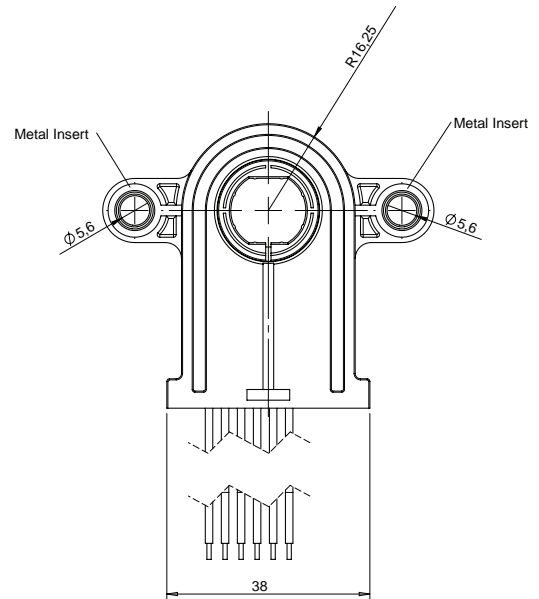
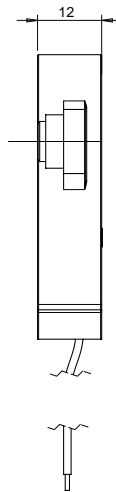
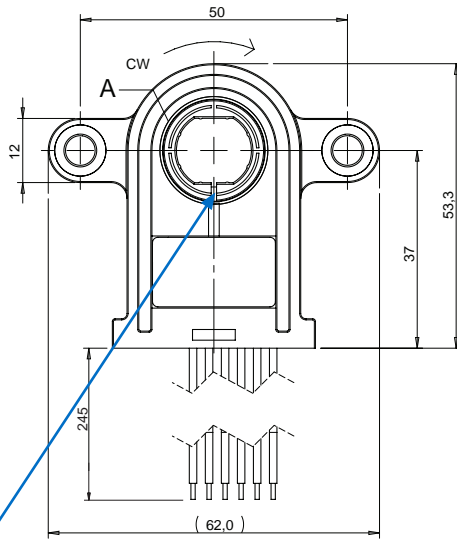
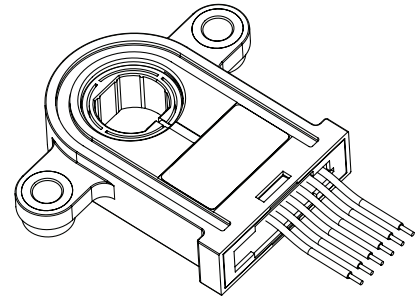
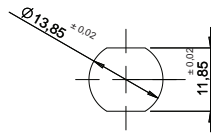
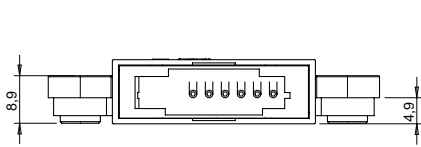
Dimensions

Hollow shaft diameter 14mm.

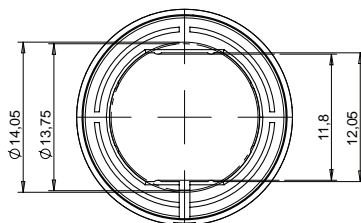


Download the STEP file here:
<https://piher.net/piher/?p=838>

Recommended
shaft dimensions



Rotor is shown at zero position.
Sensor is delivered at random
position.



Rotor - Detail A

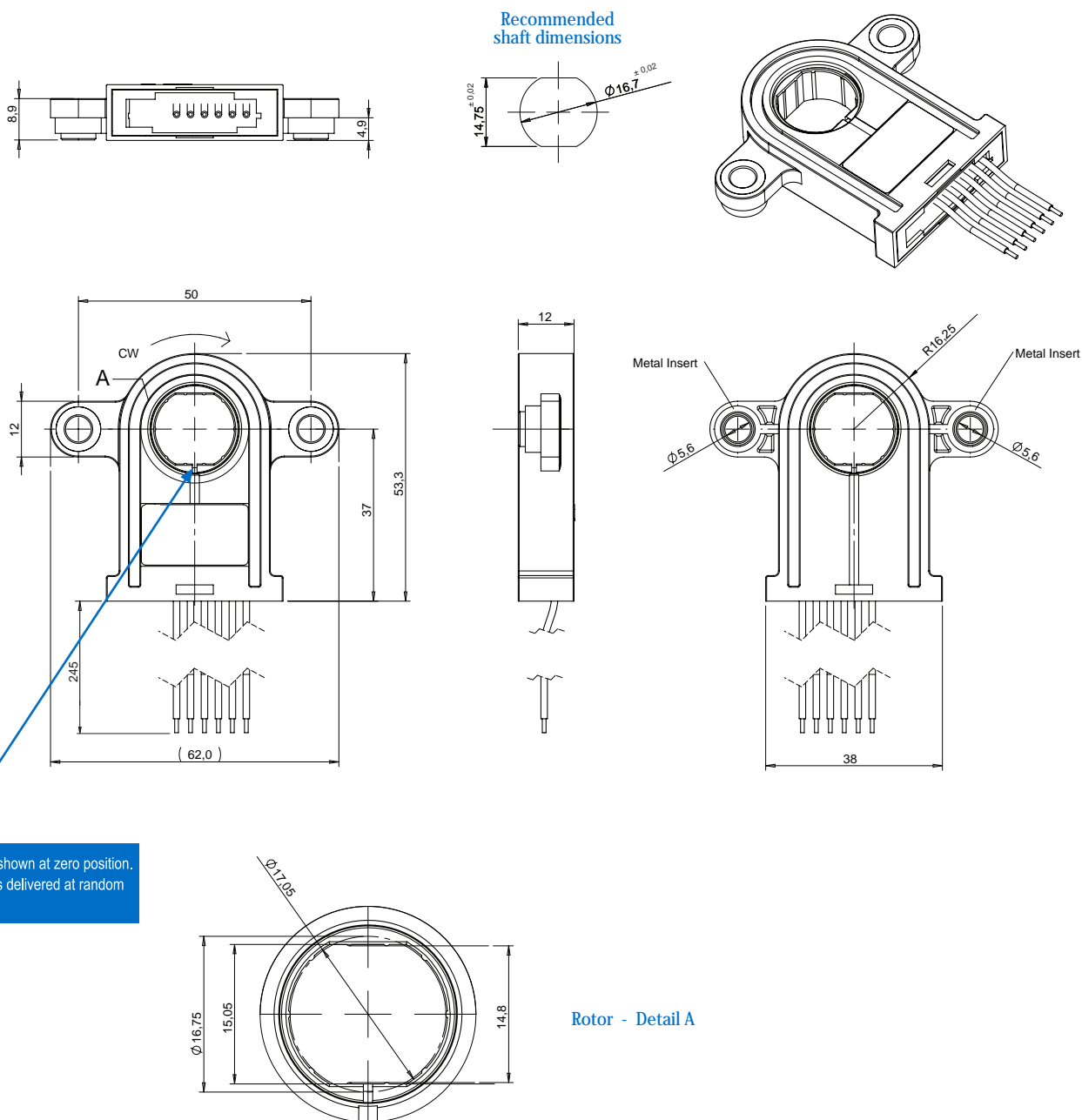
Magnetic rotary hollow-shaft position sensor

Contactless sensor

PST-360

Dimensions

Hollow shaft diameter 17mm.



Mounting instructions

- 1.- Place the component on a flat surface.
- 2.- Fit the shaft of the application (see recommended shaft dimensions) through the sensor's rotor avoiding any mechanical play/wobble.
- 3.- Fasten the two M5 screws (M5 washers are recommended).