

Connectors for Micro ISO Relays (Production North America only)

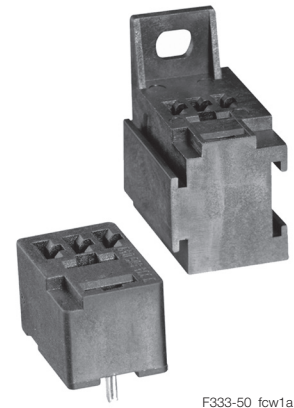
Connectors in 2 different versions

■ **PCB Socket**

With the solderable connector Micro ISO relays with plug-in terminals can be mounted on leadframes. This allows easy and reasonable replacement in case of service.

■ **Connector with mounting flap**

5 pole connector that can be mounted individually or interlocked. The connector has a snap-in pin to lock in frame. The mounting bracket also allows screw-on.



F333-50_fw1a

Technical Data

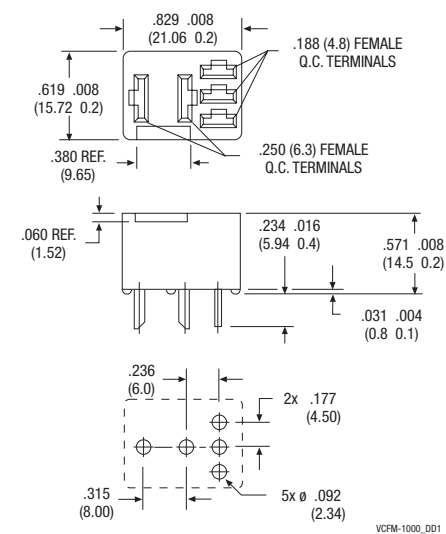
Weight	
PCB socket	approx. 5,52g (0.19oz)
Connector with mounting flap	approx. 8,02g (0.28oz)
Storage conditions according to IEC600688 ¹⁾	
Packaging/unit	
PCB socket (VCFM-1000)	450 pcs.
Connector with mounting flap (VCFM-1002)	700 pcs.

1) For general storage and processing recommendations please refer to the Application Notes and especially to storage in our Definitions at <http://relays.te.com/definitions>.

Dimensions

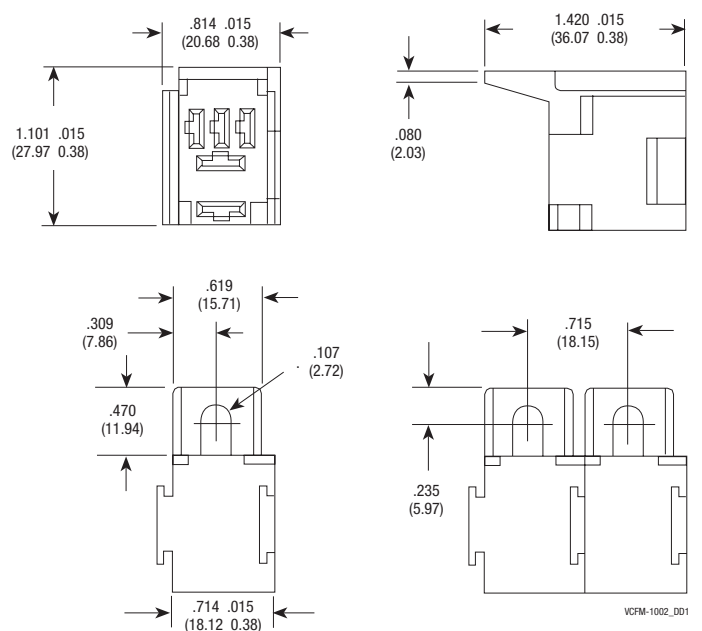
PCB socket VCFM-1000

Mounting recommendation: to keep insertion force away from the PCB the soldering of the socket to the PCB should be done with already inserted relay.



Connector VCFM-1002

Terminals to be ordered separately.



Connectors for Micro ISO Relays (Production North America only)

Part numbers for connectors and crimp terminals								
Part numbers for connectors		Wire mm ²	Quantity required		Use in cavities		Part numbers for crimp terminals	
Product code	Part number		Form A	Form C	Form A	Form C	Crimp terminals	TE part numbers
VCFM-1000	1393310-2	-	-	-	-	-	-	-
VCFM-1002	3-1393310-8	1.3 - 3.3 0.8 - 2.1	2	2	3 and 5	3 and 5	AMP60249-1 AMP42281-1	60249-1 42281-1
		0.5 - 1.6 1.3 - 2.1	2	3	1 and 2	1,2 and 4	26A1492A 26A1492B	2-1393310-5 2-1393310-6

1) Crimp terminals to be ordered separately.

2) Mentioned crimp terminals are delivered in strip-form, loose pieces and hand tool available on request.