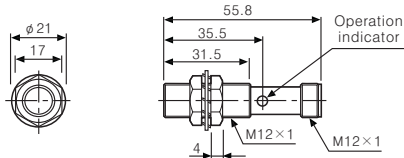


Cylindrical Connector Type

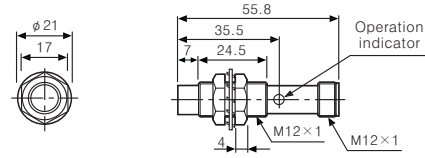
■ Dimensions

(Unit:mm)

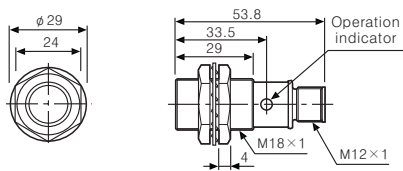
●PRCM(T)12-2D□



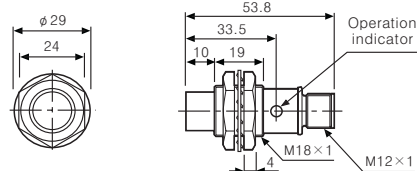
●PRCM(T)12-4D□



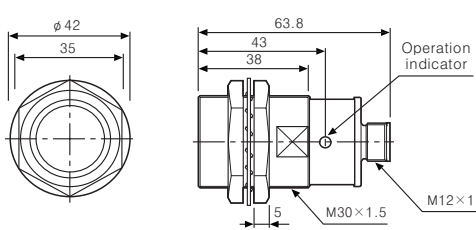
●PRCM(T)18-5D□



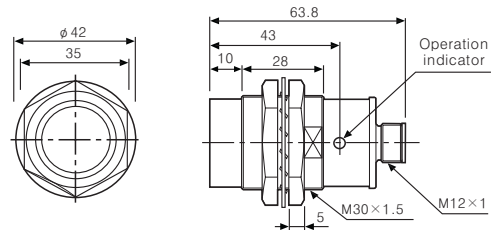
●PRCM(T)18-8D□



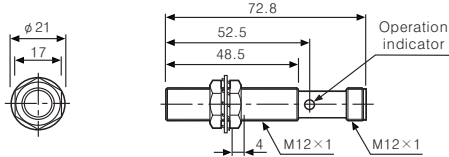
●PRCM(T)30-10D□



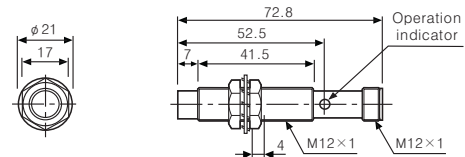
●PRCM(T)30-15D□



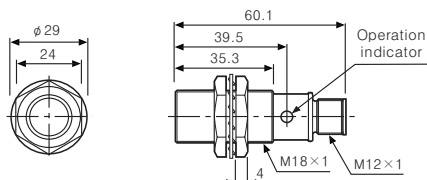
●PRCM12-2A□



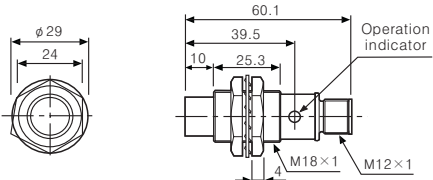
●PRCM12-4A□



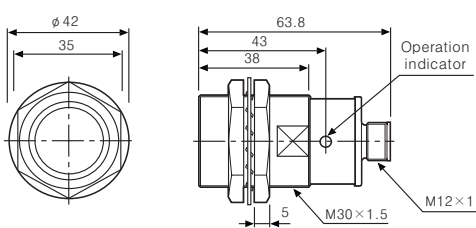
●PRCM18-5A□



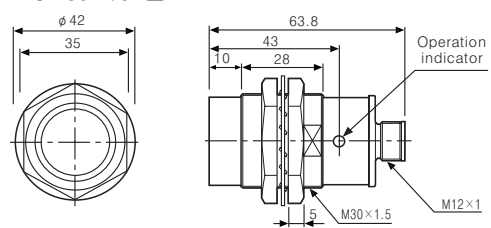
●PRCM18-8A□



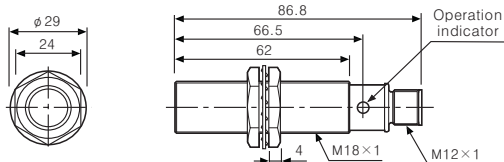
●PRCM30-10A□



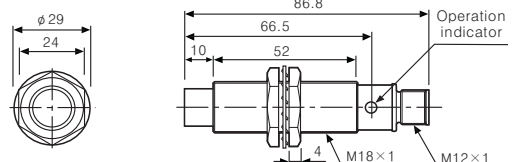
●PRCM30-15A□



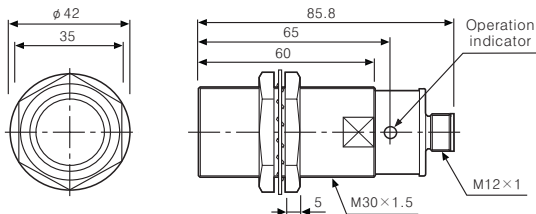
●PRCML18-5D□ / PRCML18-5A□



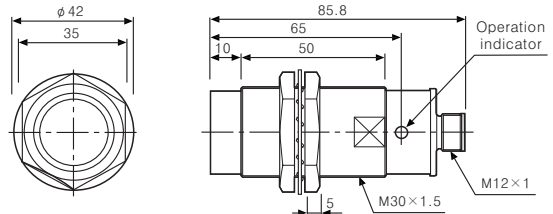
●PRCML18-8D□ / PRCML18-8A□



●PRCML30-10D□ / PRCML30-10A□



●PRCML30-15D□ / PRCML30-15A□



(A)
Counter

(B)
Timer

(C)
Temp.
controller

(D)
Power
controller

(E)
Panel
meter

(F)
Tacho/
Speed/
Pulse
meter

(G)
Display
unit

(H)
Sensor
controller

(I)
Switching
power
supply

(J)
Proximity
sensor

(K)
Photo
electric
sensor

(L)
Pressure
sensor

(M)
Rotary
encoder

(N)
Stepping
motor &
Driver &
Controller

(O)
Graphic
panel

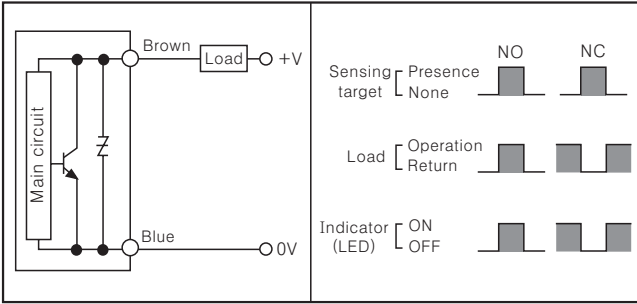
(P)
Field
network
device

(Q)
Production
stoppage
models &
replacement

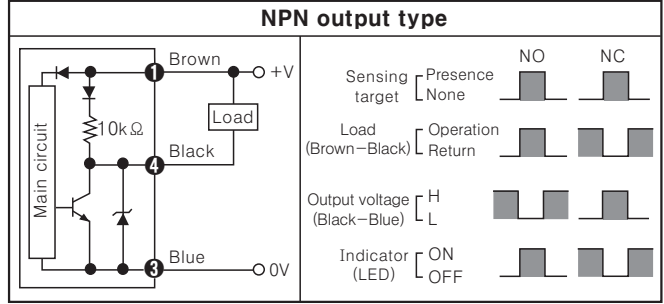
PRCM Series

Control output diagram

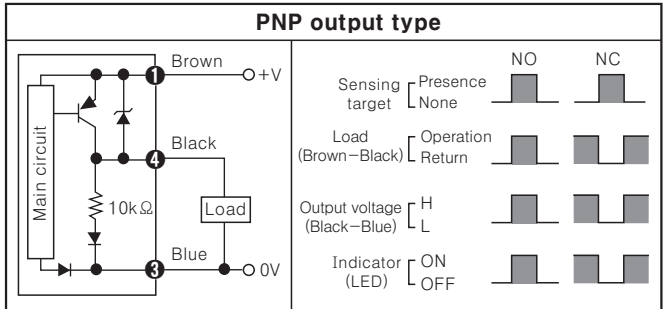
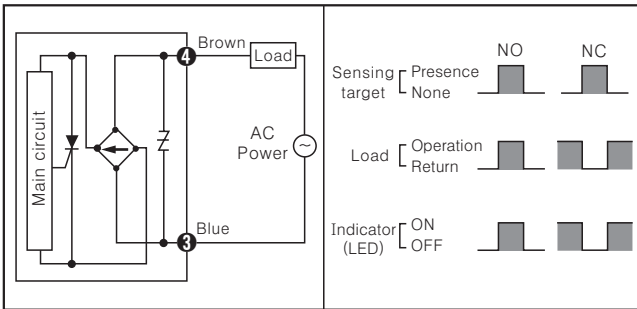
DC 2-wire type



DC 3-wire type



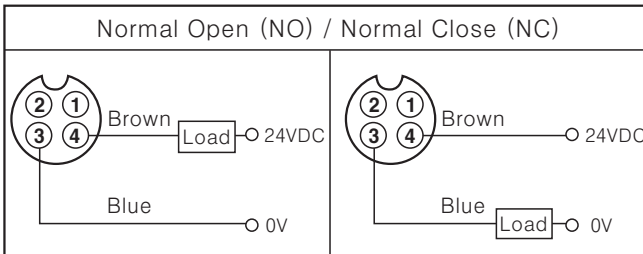
AC 2-wire type



*The number in a circle is pin no. of connector.

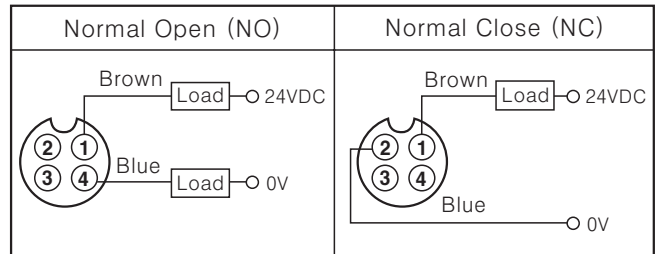
Wiring diagram

DC 2-wire type (Standard type)



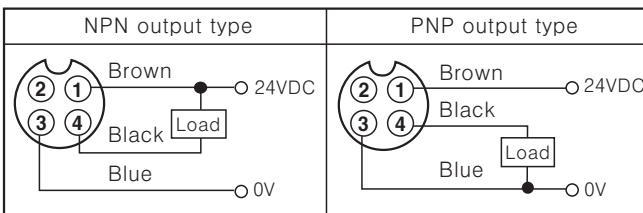
*Pin ①, ② are N.C (Not Connected) terminals.
 *For DC 3-wire type connector cable, it is available to use with black wire (24VDC) and blue wire (0V).

DC 2-wire type (IEC standard type)



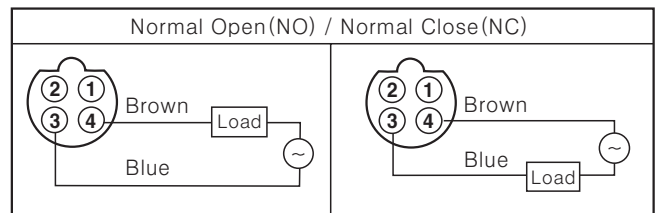
*The pin arrangement of connector applying IEC standard is being developed.
 *Please attach "I" at the end of the name of standard type for purchasing the IEC standard product. Ex) PRCMT12-4DO-I
 *The connector cable for IEC standard is being developed. Please attach "I" at the end of the name of standard type. Ex) CID2-2-I, CLD2-5-I

DC 3-wire



*Please fasten the cleat of connector not to shown the thread. (0.39~0.49N·m)

AC 2-wire



*In AC inductive type, ② and ③, ① and ④ are connected inside of the connector cable.

*Please fasten the vibration part with Teflon tape.
 *See J-51 about IEC standard connector wires and specifications.