

Sensors

Control and Communication

Electronic monitoring relays

Safety Relays

PNOZ X

PNOZsigma

PNOZelog

PNOZmulti

PNOZpower

Configurable control systems

Programmable safety and control systems

Industrial communication

Motion Control

Operating and Monitoring

Software

- [Back to overview](#)

PNOZsigma - Base units

Safe monitoring of E-STOP, safety gate, light grid and two-hand control



Picture shows similar item

PNOZ s6.1 24VDC 3 n/o 1 n/c
Order numbers: 750126

- Type: **PNOZ s6.1**
- Application options: **Two-hand monitoring type III A**
- Category in accordance with: **EN 954-1**
- SIL value: --
- Standards: **EN 954-1 , VDE 0113-1 , EN 574 TYPE III A , EN 60204-1 , EN 62061**
- Approvals: **BG , CCC , UL/cUL**
- Operating modes: **Detection of shorts across contacts , Dual-channel**
- Selectable times: --
- Number of instantaneous safety contacts: **3**
- Number of delayed safety contacts: --
- Number of auxiliary contacts: **1**
- Number of delayed auxiliary contacts: --
- Number of semiconductor outputs: **1**
- Stop category: **0**
- Supply voltage [V]: **24**
- Supply voltage range: --
- Supply voltage type: **DC**
- Max. current at DC1: **8,0 A**
- Power consumption AC: --
- Power consumption DC: --
- Height dimension: **98,0 mm**
- Width dimension: **22,5 mm**
- Depth dimension: **120,0 mm**
- Height dimension (inches): **3.86"**
- Width dimension (inches): **0.89"**
- Depth dimension (inches): **4.72"**
- Gross weight: **250 g**
- Net weight: **190 g**
- Ambient temperature in °C: **-10 - 55 °C**
- Terminal type: **Screw terminal**
- Terminal style: **Plug-in**
- Order number: **750126**

Up to PL e of EN ISO 13849-1 PNOZ s6.1



Two-hand control device for safety circuits

Approvals

PNOZ s6.1	
	◆
	◆
	◆

Unit features

- ▶ Positive-guided relay outputs:
 - 3 safety contacts (N/O), instantaneous
 - 1 auxiliary contact (N/C), instantaneous
- ▶ 1 semiconductor output
- ▶ Connection options for:
 - 2 operator elements (buttons)
- ▶ A connector can be used to connect 1 PNOZsigma contact expander module
- ▶ LED indicator for:
 - Supply voltage
 - Input status, channel 1
 - Input status, channel 2
 - Switch status, safety contacts
 - Feedback loop
 - Fault
- ▶ Plug-in connection terminals (either spring-loaded terminal or screw terminal)
- ▶ See order reference for unit types

Unit description

The two-hand control relay meets the requirements of EN 574 Type IIIA. It

forces the operator to keep his hands outside the danger zone area during the hazardous movement. It is designed for use in two-hand circuits.

CAUTION!

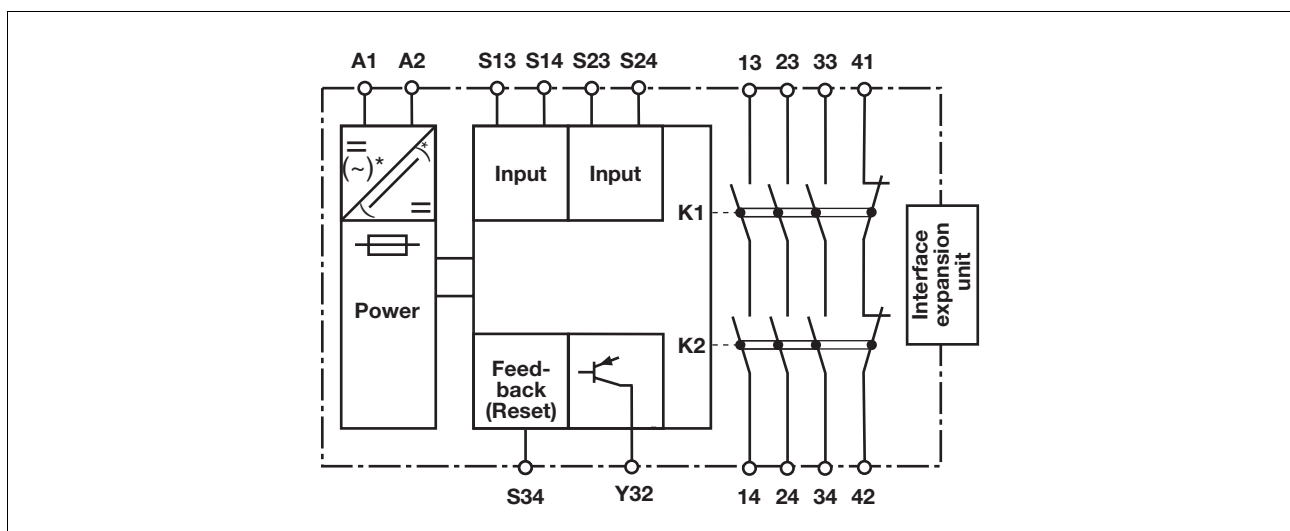
The two-hand control relay may **not** be used on **press controllers**. It is only suitable for use where the risk analysis has established a low level of risk (e.g. EN 954-1 Cat. 1).

Safety features

The two-hand control relay meets the following safety requirements:

- ▶ The two-hand control relay prevents the plant from being enabled in the following cases:
 - Power supply failure
 - Component failure
 - Short circuit on an input circuit
 - Coil defect
 - Open circuit
 - Earth fault
- ▶ In each on-off cycle, the output relays on the safety device are tested to ensure they open and close correctly

Block diagram



*only with UB = 48 – 240 VAC/DC