

Safety relays - PSR-MS35-1NO-24DC-SC - 2904953

Technical data

Output data

| | |
|-------------|---|
| Output fuse | 6 A gL/gG (N/O contact) |
| | 4 A gL/gG (for low-demand applications) |

General

| | |
|---|--|
| Relay type | Electromechanical relay with forcibly guided contacts in accordance with IEC/EN 61810-3 (EN 50205) |
| Mechanical service life | 10 x 10 ⁶ cycles |
| Nominal operating mode | 100% operating factor |
| Net weight | 83.9 g |
| Mounting type | DIN rail mounting |
| Mounting position | vertical or horizontal |
| Degree of protection | IP20 |
| Min. degree of protection of inst. location | IP54 |
| Control | one and two channel |
| Housing material | PBT |
| Housing color | yellow |

Connection data

| | |
|---------------------------------------|---------------------|
| Connection method | Screw connection |
| pluggable | no |
| Conductor cross section solid min. | 0.2 mm ² |
| Conductor cross section solid max. | 2.5 mm ² |
| Conductor cross section flexible min. | 0.2 mm ² |
| Conductor cross section flexible max. | 2.5 mm ² |
| Conductor cross section AWG min. | 26 |
| Conductor cross section AWG max. | 12 |
| Stripping length | 12 mm |
| Screw thread | M3 |

Safety-related characteristic data

| | |
|---|--|
| Stop category | 0 |
| Designation | IEC 61508 - High demand |
| Safety Integrity Level (SIL) | 3 |
| Designation | IEC 61508 - Low demand |
| Safety Integrity Level (SIL) | 3 |
| Designation | EN ISO 13849 |
| Performance level (PL) | e (4 A DC13; 5 A AC15; 8760 switching cycles/year) |
| Category | 4 |
| Designation | EN 62061 |
| Safety Integrity Level Claim Limit (SIL CL) | 3 |

Standards and Regulations

| | |
|-------|-----|
| Shock | 15g |
|-------|-----|

Safety relays - PSR-MS35-1NO-24DC-SC - 2904953

Technical data

Standards and Regulations

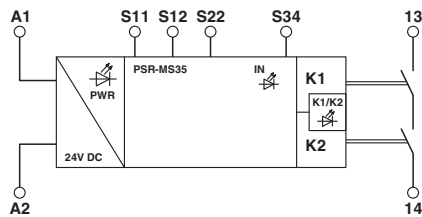
| | |
|--------------------------------|---|
| Designation | Air clearances and creepage distances between the power circuits |
| Standards/regulations | DIN EN 50178 |
| Rated insulation voltage | 250 V AC |
| | 250 V AC |
| Rated surge voltage/insulation | Safe isolation, reinforced insulation 6 kV between input circuit and enabling current path Basic insulation 4 kV between all current paths and housing |
| Degree of pollution | 2 |
| Overvoltage category | III |
| Vibration (operation) | 10 Hz ...150 Hz, 2g |
| Conformance | CE-compliant |

Environmental Product Compliance

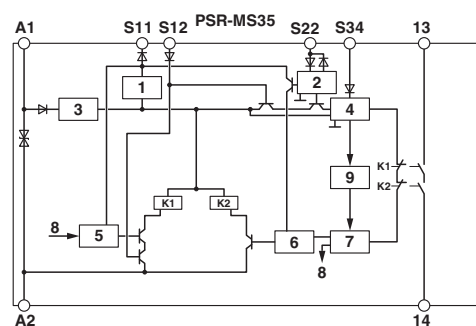
| | |
|------------|---|
| China RoHS | Environmentally Friendly Use Period = 50 |
| | For details about hazardous substances go to tab "Downloads", Category "Manufacturer's declaration" |

Drawings

Block diagram



Block diagram



Key:

- 1 = Current limitation
- 2 = Input circuit
- 3 = Voltage limitation
- 4 = Start circuit
- 5 = Control circuit channel 1
- 6 = Control circuit channel 2
- 7 = Start channel 1 and 2
- 8 = Channel 1
- 9 = Diagnostics
- K1, K2 = Force-guided elementary relays