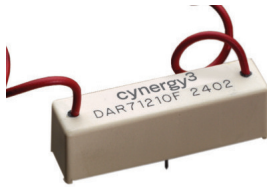




D-HR Series

High Insulation Resistance, High Voltage Relays -10kV & 15kV



Very high isolation voltages - up to 15kV - are achieved through the use of high vacuum reed switches with either rhodium or tungsten contacts which make these relays suitable for high reliability applications, such as cardiac defibrillators, test equipment and high voltage power supplies.

The rhodium contact relays have low contact resistance, while the tungsten contact relays can switch higher voltages.

- 10kV or 15kV Isolation
- Low Contact Resistance
- 1x10¹⁴ Ohms Minimum Insulation Resistance
- PCB or Flying Leads Connections
- Ideal for sensitive test and measurement circuits which require low leakage current losses

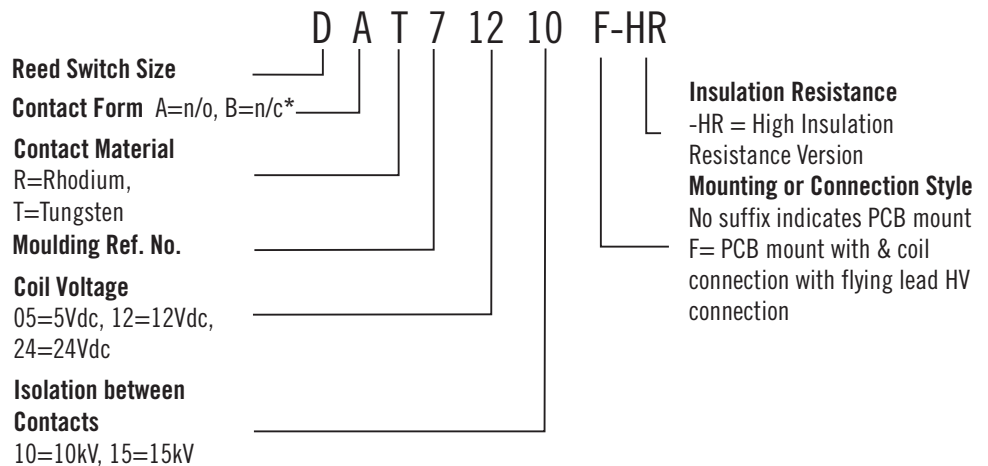
Contact Specification	Unit	Condition	10kV SPNO		10kV SPNC		15kV SPNO*		
			Rhodium	Tungsten	Rhodium	Tungsten	Tungsten		
Isolation across contacts	kV	DC or AC peak	10	10	10	10	15		
Switching Power Max.	W		50	50	50	50	50		
Switching Voltage Max.	V	DC or AC peak	1000	7000	1000	7000	10000		
Switching Current Max.	A	DC or AC peak	3	2	3	2	2		
Carry Current Max	A	DC or AC peak	4	3	4	3	2		
Capacitance across contacts	pF	coil to screen grounded	<0.2	<0.2	<0.2	<0.2	<0.2		
Lifetime	Operations	dry switching	10 ⁹	10 ⁹	10 ⁹	10 ⁹	10 ⁹		
		50W switching	10 ⁶	10 ⁶	10 ⁶	10 ⁶	10 ⁶		
Contact Resistance	mΩ	max (typical)	50 (15)	250(100)	50 (15)	250(100)	250 (100)		
Insulation Resistance	Ωmin		1x10 ¹⁴		1x10 ¹⁴		1x10 ¹⁴		

Coil Specification		5V	12V	24V	5V	12V	24V	5V	12V	24V
Must Operate Voltage	V DC	3.7	9	20	3.7	9	20	3.7	9	20
Must Release Voltage	V DC	0.5	1.25	4	0.5	1.25	4	0.5	1.25	4
Operate Time	ms diode fitted	3.0	3.0	3.0	2.0	2.0	2.0	3.0	3.0	3.0
Release Time	ms diode fitted	2.0	2.0	2.0	3.0	3.0	3.0	2.0	2.0	2.0
Resistance	Ω	28	150	780	38	240	925	16	95	350

Relay Specification		10kV			15kV		
Isolation contact/coil	kV	17			17		
Insulation resistance contact to all terminals	Ωmin (typical)	1x10 ¹⁴			1x10 ¹⁴		
Environmental							
Operating Temp range	°C	-20 to +70			-20 to +70		

Please refer to this document for circuit design notes:- <http://www.cynergy3.com/blog/application-notes-reed-relays-0>

Part Numbering System



Cynergy3 Components Ltd.
7 Cobham Road
Ferndown Industrial Estate
Wimborne, Dorset BH21 7PE
Telephone +44 (0) 1202 897969

Email:sales@cynergy3.com

ISO9001 CERTIFIED

D-HR 2016

© 2016 Cynergy3 Components, All Rights Reserved. Specifications are subject to change without prior notice. Cynergy3 Components and the Cynergy3 Components logo are trademarks of Cynergy3 Components Limited.

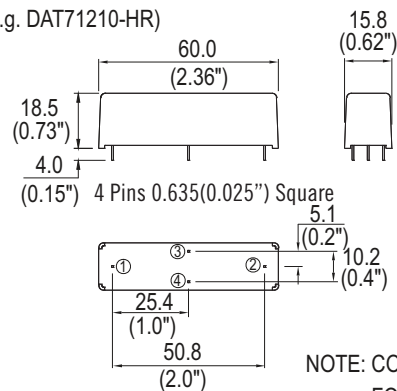
* Form B (n/c) is not available on 15kV models

www.cynergy3.com

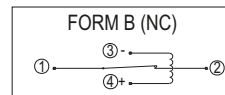
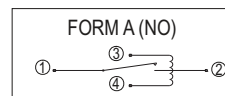
MECHANICAL

STANDARD

(e.g. DAT71210-HR)



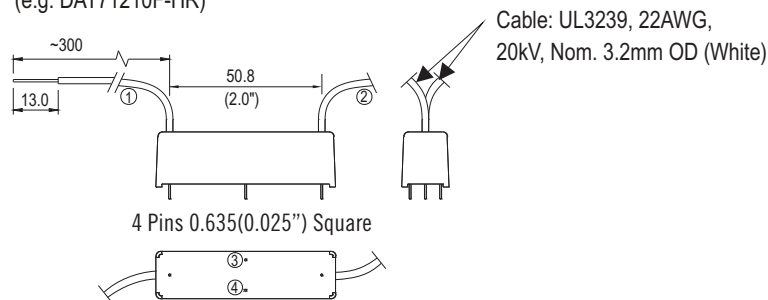
**CIRCUIT DIAGRAMS
(ALL VARIANTS)**



NOTE: COIL POLARITY IS IMPORTANT FOR FORM B VARIANT ONLY.

FLYING LEAD

(e.g. DAT71210F-HR)



NOTE: PINS WHICH ARE NOT NUMBERED HAVE NO ELECTRICAL CONNECTION.

Cynergy3 Components Ltd.
7 Cobham Road
Ferndown Industrial Estate
Wimborne, Dorset BH21 7PE
Telephone +44 (0) 1202 897969

Email: sales@cynergy3.com

Please refer to this document for circuit design notes:-
<http://www.cynergy3.com/blog/application-notes-reed-relays-0>

ISO9001 CERTIFIED

www.cynergy3.com