

VP Series Relay

Miniature Cradle Relays

- World-wide compatibility
- mA/mV to 5A or 250V switching
- RoHS compliant
- Bistable magnetic latching types available
- Mounting options
- BT23 and BT32 approved types available
- Life tested to 100,000,000 mechanical operations
- Comprehensive technical service
- Broad custom capability



Keyswitch Varley™ VP Series miniature cradle relays offer contact, coil and mounting options to meet a wide range of applications. They are extremely reliable, proven through many years manufacture and use and are compatible with all similar products manufactured world-wide.

1. SUMMARY OF TYPES

1.1. BASIC VP SERIES

Contacts: – 2, 4, 6 & 8 pole contact arrangements are available, with a choice of contact materials to suit applications from low to heavy duty.

Coils: – Nominal coil voltages range from 6 to 200V DC and 6 to 110V AC to give the user a liberal choice of operating voltages.

AC Operation:– For AC operation a range is available with built in rectifiers.

Sensitive operation:– Special adjustments can be made which provide increased sensitivity of operation, denoted by 'SEN' in the ordering code.

Mounting:– Available as a plug-in relay (also suitable for direct wiring) or for printed circuit board mounting with alternative pin layouts.

Socket and Retaining Clip:– Relay sockets and retaining clips (ordered separately) are available to suit the different case sizes. Sockets are available with printed circuit pins or solder tags.

Omission of Earth Screw/Pin:– For Applications where an earth facility is not required, the earth screw or pin can be omitted, obviating the need to drill printed circuit boards or panels.

Earth Clip:– Wiring sockets are supplied complete with an earth clip (loose piece) enabling the relay to be earthed via the fixing screw.

1.2. VPR Series

Bistable, polarised relays with either single or double wound coils, capable of being pulsed at a minimum of 10 milliseconds.

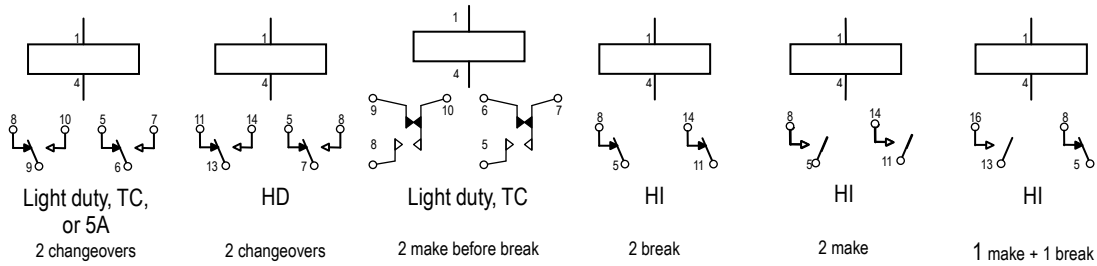
1.3. Telecom approved relays

These relays conform to British Telecom codes BT23 and BT32. For BT23 the contact material is always code 'G' while for BT32 code 'F' is used.

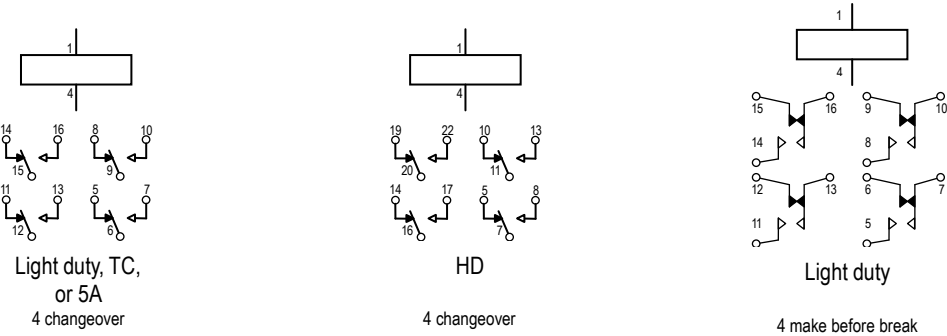
2. SCHEMATIC DIAGRAMS

The arrangements shown are applicable to all Basic VP Series relays. They are also applicable to the VPR Series where relevant; see Standard Contact Arrangements and Case Sizes. For additional contact arrangements available contact sales.

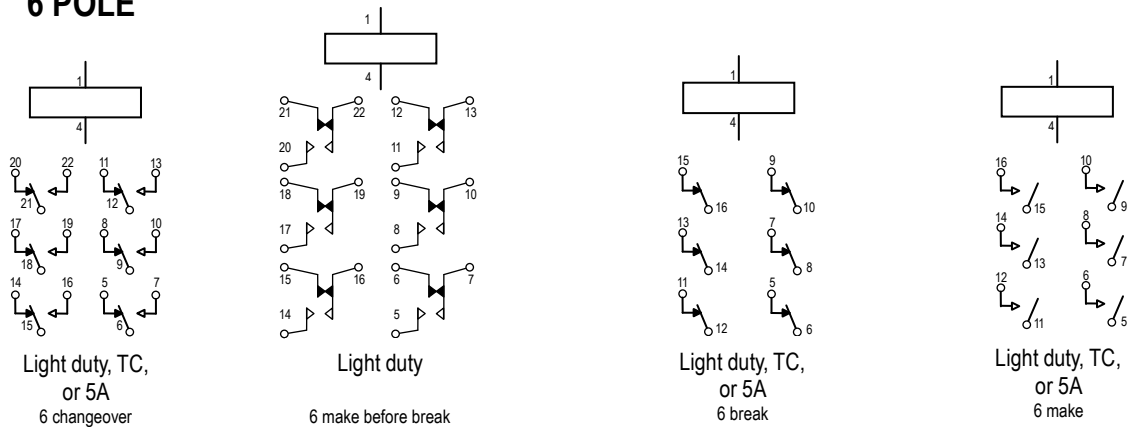
2 POLE



4 POLE



6 POLE



8 POLE

