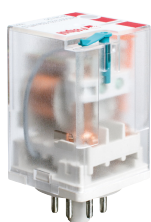
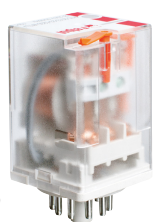


R15 - 2 CO, 3 CO








industrial relays of small dimensions



R15 - 2 CO



R15 - 3 CO

• Relays of general application • For plug-in sockets: 35 mm rail mount acc. to PN-EN 60715; on panel mounting: solder terminals • Contacts AgNi • Coils AC and DC • WT (mechanical indicator + lockable front test button) - standard features of relays in cover, for plug-in sockets. Relays may be provided with the test buttons (no latching) and plugs - page 7 • **Have obtained LR Type Approval Certificate (Lloyd's Register)** • Recognitions, certifications, directives: RoHS, AUCOTEAM GmbH Berlin - railroad standard,       

Contact data

Number and type of contacts		2 CO, 3 CO
Contact material		AgNi , AgNi/Au flash gold plating, AgNi/Au hard gold plating
Rated / max. switching voltage	AC	250 V / 440 V
Min. switching voltage		10 V AgNi, 10 V AgNi/Au flash gold plating 5 V AgNi/Au hard gold plating
Rated load (capacity)	AC1 AC15 AC3 DC1 DC13	10 A / 250 V AC 10 A / 277 V AC UL 508 3 A / 120 V 1,5 A / 240 V (B300) 370 W (single-phase motor; 0,5 HP / 240 V AC UL 508) 10 A / 24 V DC (see Fig. 3) 0,22 A / 120 V 0,1 A / 250 V (R300)
Min. switching current		5 mA
Max. inrush current		20 A
Rated current		10 A
Max. breaking capacity	AC1	2 500 VA
Min. breaking capacity		0,3 W AgNi, 0,3 W AgNi/Au flash gold plating 0,05 W AgNi/Au hard gold plating
Contact resistance		≤ 100 mΩ
Max. operating frequency		
• at rated load	AC1	1 200 cycles/hour
• no load		12 000 cycles/hour

Coil data

Rated voltage	50/60 Hz AC DC	6 ... 240 V 6 ... 220 V
Must release voltage		AC: ≥ 0,15 U _n DC: ≥ 0,1 U _n
Operating range of supply voltage		see Tables 1, 2
Rated power consumption	AC DC	2,8 VA 50 Hz 2,5 VA 60 Hz 1,5 W

Insulation according to PN-EN 60664-1

Insulation rated voltage		250 V AC
Rated surge voltage		2 500 V 1,2 / 50 μs
Overvoltage category		III
Insulation pollution degree		3
Dielectric strength		
• between coil and contacts		2 500 V AC type of insulation: basic
• contact clearance		1 500 V AC type of clearance: micro-disconnection
• pole - pole		2 000 V AC type of insulation: basic
Contact - coil distance	• clearance • creepage	≥ 3 mm ≥ 4,2 mm

General data

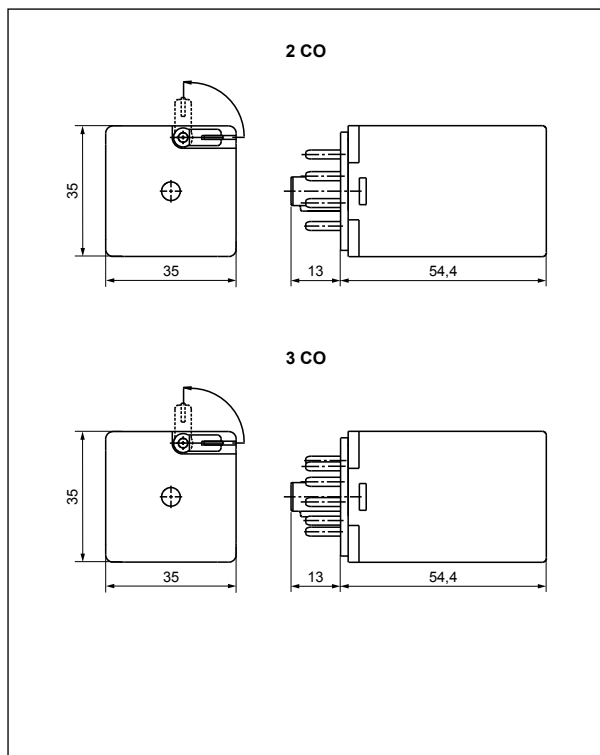
Operating / release time (typical values)		AC: 12 ms / 10 ms DC: 18 ms / 7 ms
Electrical life		
• resistive AC1		> 2 x 10 ⁵ 10 A, 250 V AC
• cosφ		see Fig. 2
Mechanical life (cycles)		> 2 x 10 ⁷
Dimensions (L x W x H)		35 x 35 x 54,4 mm
Weight		83 g
Ambient temperature	• storage • operating	-40...+85 °C AC: -40...+55 °C DC: -40...+70 °C
Cover protection category		IP 40 PN-EN 60529
Environmental protection		RTI PN-EN 116000-3
Shock resistance		10 g
Vibration resistance		5 g 10...150 Hz
Solder bath temperature		max. 270 °C
Soldering time		max. 5 s

The data in bold type relate to the standard versions of the relays.

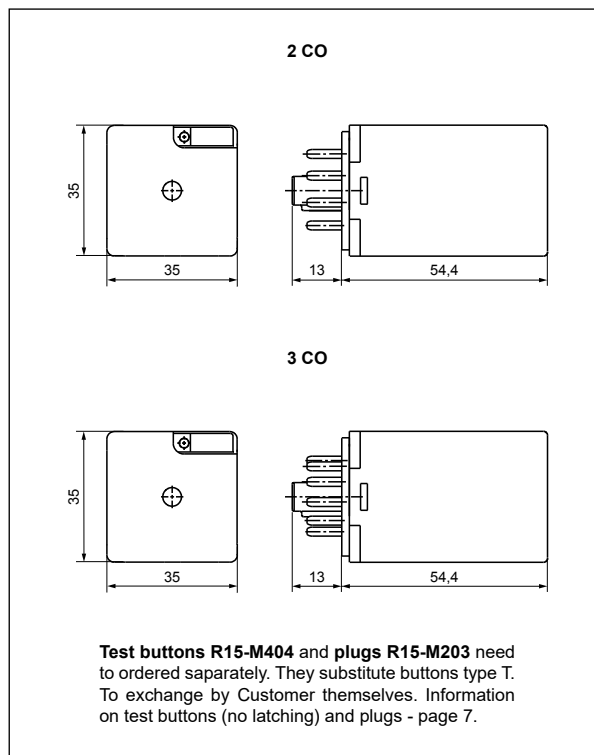
R15 - 2 CO, 3 CO

industrial relays of small dimensions

Dimensions - plug-in version (WT), with lockable front test button type T



Dimensions - plug-in version, with test button (no latching) or with plug (no manual operation)



Mounting

Relays R15 - 2 CO, 3 CO are offered in versions: • for plug-in sockets. With WT features as standard (W - mechanical indicator + T - lockable front test button). In these relays is possibility self-exchange of button type T for test button R15-M404 (no latching) or on plug R15-M203 (no manual operation). The buttons R15-M404 and the plugs R15-M203 need to be ordered separately.

Relays R15 - 2 CO are designed for: • screw terminals plug-in sockets PZ8 with clip PZ11 0031, 35 mm rail mount acc. to PN-EN 60715 or on panel mounting with two M3 screws • screw terminals plug-in sockets GZU8 with clip GZU 1052, 35 mm rail mount acc. to PN-EN 60715 • screw terminals plug-in sockets GZ8 with clip GZ 1050, on panel mounting with two M3 screws • screw terminals plug-in sockets GZP8 with clip GZP-0054, 35 mm rail mount acc. to PN-EN 60715 or on panel mounting with two M3 screws • solder terminals sockets GOP8 with clip R159 1051 and spring clamp R15 5922.

Relays R15 - 3 CO are designed for: • screw terminals plug-in sockets PS11 and PZ11 with clip PZ11 0031, 35 mm rail mount acc. to PN-EN 60715 or on panel mounting with two M3 screws • screw terminals plug-in sockets GZU11 with clip GZU 1052, 35 mm rail mount acc. to PN-EN 60715 • screw terminals plug-in sockets GZ11 with clip GZ 1050, on panel mounting with two M3 screws • screw terminals plug-in sockets GZP11 with clip GZP-0054, 35 mm rail mount acc. to PN-EN 60715 or on panel mounting with two M3 screws • solder terminals sockets GOP11 with clip R159 1051 and spring clamp R15 5922.