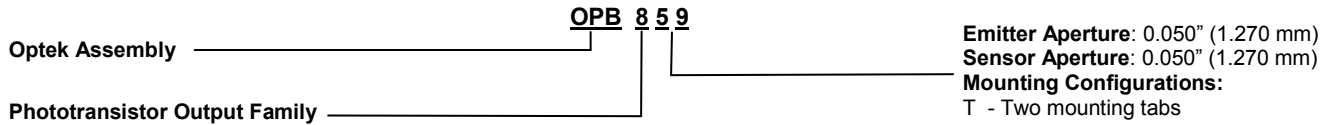


Slotted Optical Switch

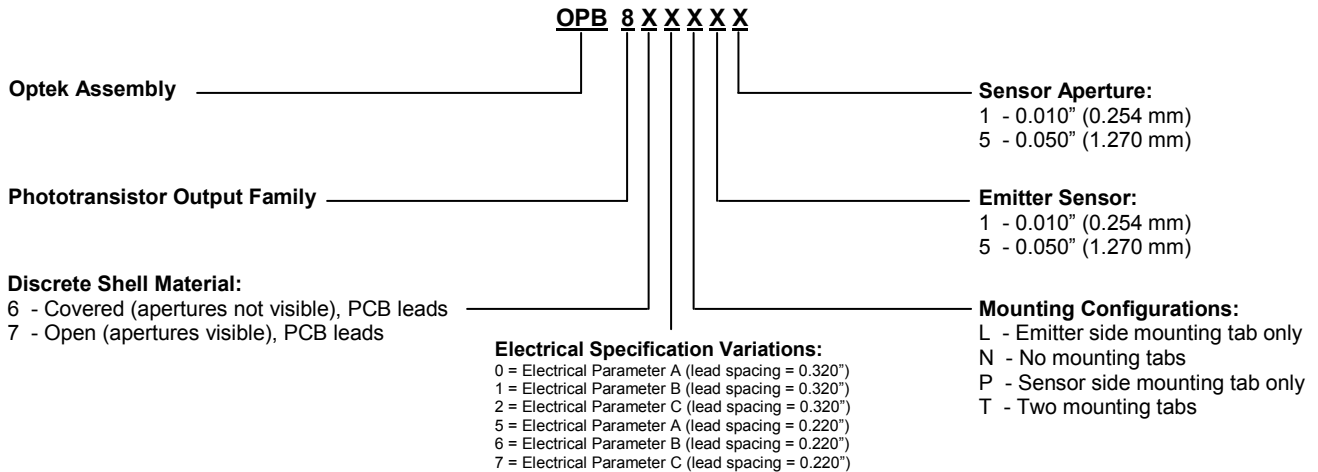
Series: OPB355, OPB360, OPB370, OPB380
 OPB859, OPB860, OPB870, OPB880, OPB890



Part Number Guide — OPB859



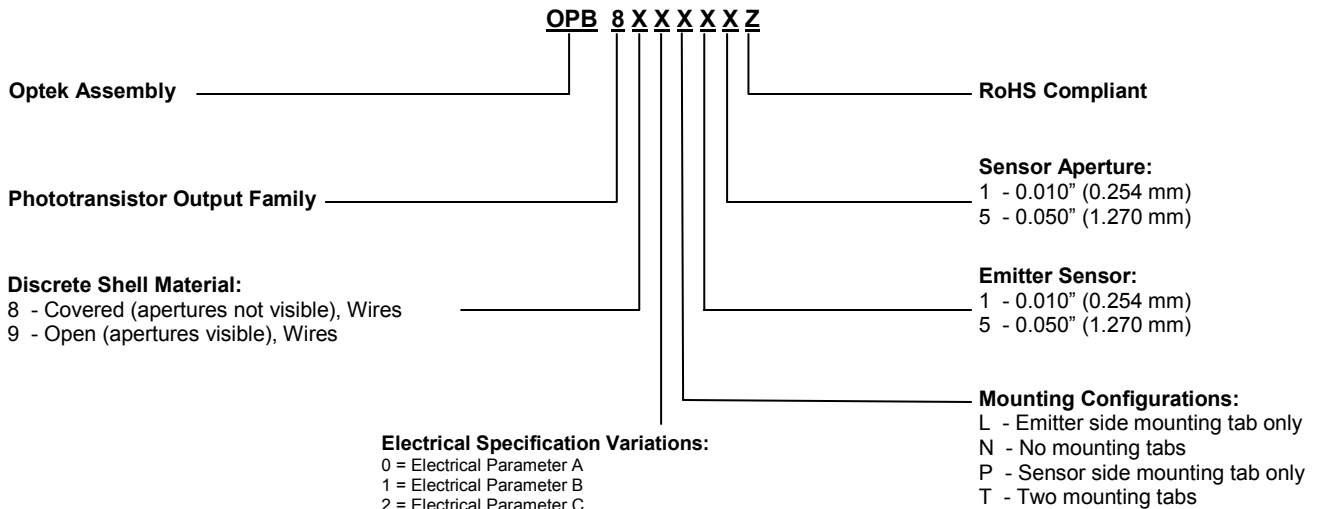
Part Number Guide — OPB860 / OPB870



Electrical Specification Variations:
 0 = Electrical Parameter A (lead spacing = 0.320")
 1 = Electrical Parameter B (lead spacing = 0.320")
 2 = Electrical Parameter C (lead spacing = 0.320")
 5 = Electrical Parameter A (lead spacing = 0.220")
 6 = Electrical Parameter B (lead spacing = 0.220")
 7 = Electrical Parameter C (lead spacing = 0.220")

Note: Assemblies with dual 0.010" apertures are currently available with electrical parameter "A" only.

Part Number Guide — OPB880 / OPB890



Electrical Specification Variations:
 0 = Electrical Parameter A
 1 = Electrical Parameter B
 2 = Electrical Parameter C

NOTE: Assemblies with dual 0.010" apertures are currently available with electrical parameter "A" only.
 Wires = 26AWG - 24" long. UL approved.

General Note
 TT Electronics reserves the right to make changes in product specification without notice or liability. All information is subject to TT Electronics' own data and is considered accurate at time of going to print.

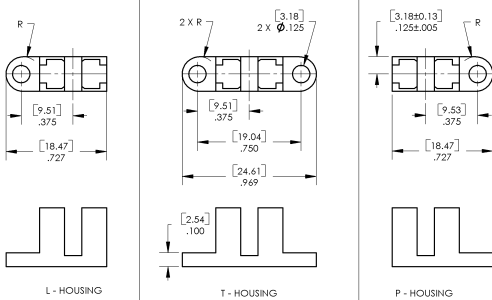
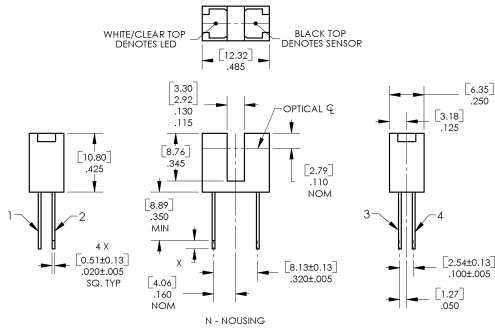
OPTEK Technology, Inc.
 1645 Wallace Drive, Carrollton, TX 75006 | Ph: +1 972 323 2200
 www.optekinc.com | www.ttelectronics.com

Slotted Optical Switch

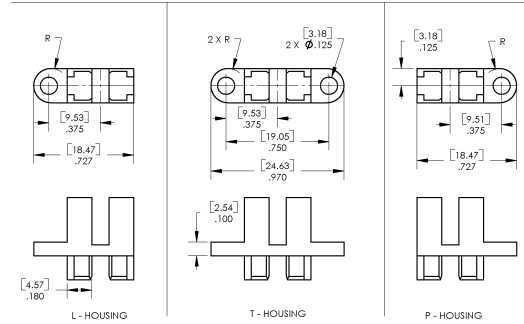
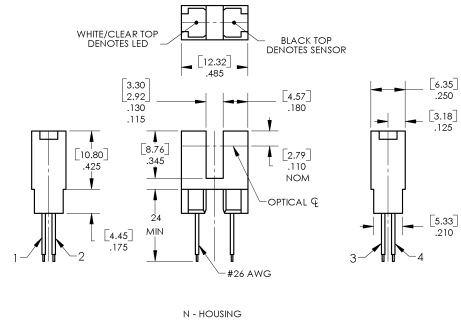
Series: OPB355, OPB360, OPB370, OPB380
OPB859, OPB860, OPB870, OPB880, OPB890



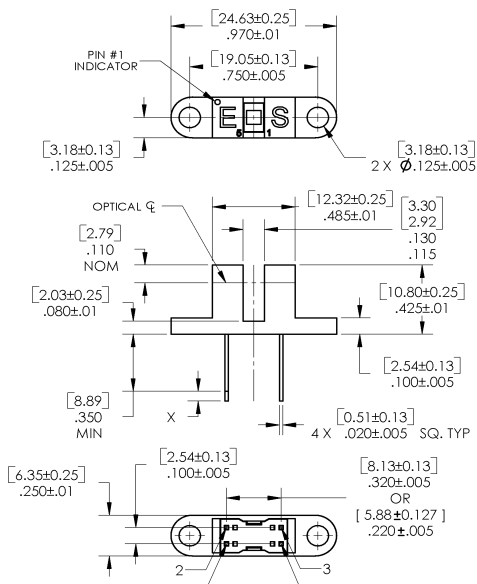
OPB355, OPB360, OPB370



OPB380, OPB390

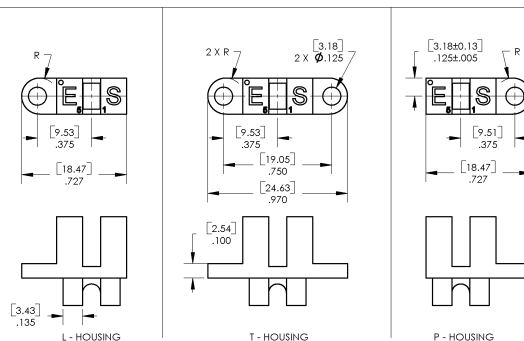
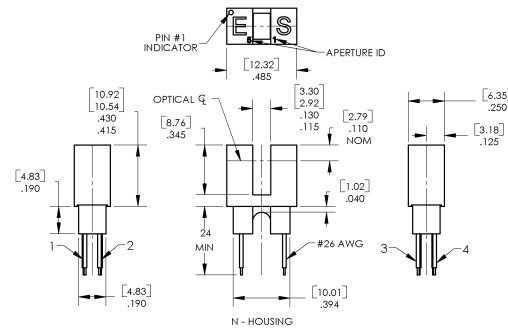


OPB859



Pin #	Emitter	Pin #	Transistor/Diode
1	Anode	3	Collector / Anode
2	Cathode	4	Emitter / Cathode

OPB880, OPB890



[MILLIMETERS]
DIMENSIONS ARE IN:
INCHES

General Note
TT Electronics reserves the right to make changes in product specification without notice or liability. All information is subject to TT Electronics' own data and is considered accurate at time of going to print.

OPTEK Technology, Inc.
1645 Wallace Drive, Carrollton, TX 75006
Ph: +1 972 323 2200
www.optekinc.com | www.ttelectronics.com