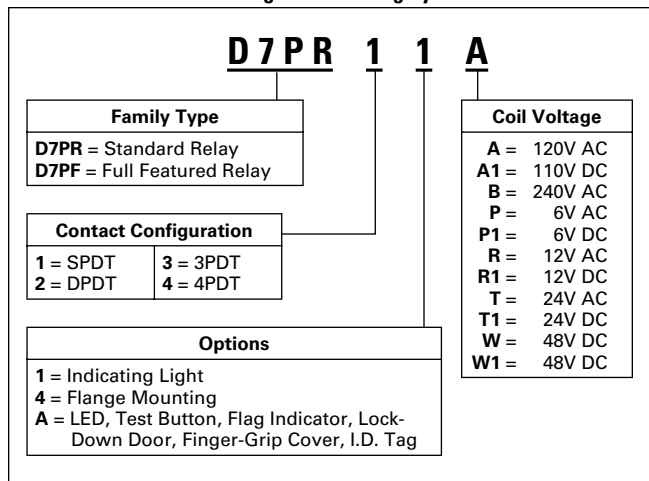


**Catalogue Number Structure**

**Table 3-52. D7 Series Catalogue Numbering System ①**



① For deciphering Catalogue Numbers. Do not use for ordering as not all combinations are readily available.

**Table 3-53. Relay/Socket Quick Reference**

Relay Type	Socket	Hold Down Spring
D7PR1	D7PA2/D7PA5	PMC-A1
D7PR2	D7PA2/D7PA5	PMC-A1
D7PR3	D7PA3	PYC-B2
D7PR4	D7PA4	PYC-B2
D7PF1/D7PF2	D7PA9/D7PA5	PQC-1342
D7PF1/D7PF2	D7PAA	PQC-1349
D7PF3	D7PA3	N/A
D7PF4	D7PA4	N/A
D7PF3	D7PAB	PQC-1350
D7PF4	D7PAD	PQC-1351

**Product Selection**

**Table 3-54. D7 Product Selection ②**

	Catalogue Number
<b>Standard SPDT</b>	
Coil Voltage: 24V AC 120V AC 240V AC	D7PR1T D7PR1A D7PR1B
6V DC 12V DC 24V DC	D7PR1P1 D7PR1R1 D7PR1T1
<b>SPDT with Indicating Light</b>	
24V AC 120V AC	D7PR11T D7PR11A
24V DC	D7PR11T1
<b>SPDT Flange Mount</b>	
120V AC	D7PR14A
<b>SPDT Full Featured Relay</b>	
120V AC 110V DC 12V DC 24V AC 24V DC	D7PF1AA D7PF1AA1 D7PF1AR1 D7PF1AT D7PF1AT1

**Table 3-54. D7 Product Selection, continued ②**

	Std. Pack	Catalogue Number
<b>Standard DPDT</b>		
24V AC 120V AC 240V AC		D7PR2T D7PR2A D7PR2B
12V DC 24V DC 48V DC 110V DC		D7PR2R1 D7PR2T1 D7PR2W1 D7PR2A1
<b>DPDT Full Featured Relay</b>		
Coil Voltage: 120V AC 110V DC 240V AC 12V DC 24V AC 24V DC		D7PF2AA D7PF2AA1 D7PF2AB D7PF2AR1 D7PF2AT D7PF2AT1
<b>DPDT Flange Mount</b>		
24V AC 120V AC		D7PR24T D7PR24A
<b>Standard 3PDT</b>		
120V AC		D7PR3A
12V DC 24V DC		D7PR3R1 D7PR3T1
<b>3PDT with Indicating Light</b>		
120V AC		D7PR31A
12V DC 24V DC		D7PR31R1 D7PR31T1
<b>3PDT Flange Mount</b>		
120V AC		D7PR34A
<b>3PDT Full Featured Relay</b>		
120V AC 110V DC 240V AC 12V DC 24V AC 24V DC		D7PF3AA D7PF3AA1 D7PF3AB D7PF3AR1 D7PF3AT D7PF3AT1
<b>Standard 4PDT</b>		
Coil Voltage: 24V AC 120V AC		D7PR4T D7PR4A
24V DC 110V DC		D7PR4T1 D7PR4A1
<b>4PDT Full Featured</b>		
Coil Voltage: 120V AC 240V AC 12V AC 12V DC 24V AC 24V DC 48V DC		D7PF4AA D7PF4AB D7PF4AR D7PF4AR1 D7PF4AT D7PF4AT1 D7PF4AW1
<b>4PDT Flange Mount</b>		
120V AC 24V DC		D7PR44A D7PR44T1
<b>DIN Rail Mount Sockets</b>		
1- and 2-Pole 1- and 2-Pole Finger-Safe ③ 3-Pole 3-Pole Finger-Safe ③ 4-Pole 4-Pole Finger-Safe ③	10 10 10 10 10 10	D7PA2 D7PAA D7PA3 D7PAB D7PA4 D7PAD
<b>Panel Mount Sockets</b>		
1- and 2-Pole	10	D7PA5
<b>Accessories</b>		
Spring Clip DIN Rail End Stop Hold Down Spring	100 100 100	PMC-A1 PFP-M PYC-B2

② Additional coil voltages available — consult Contact Customer Support Centre 1-800-268-3578.

③ IP20 rated. Table 3-54.

D7PR Series — Standard

Dimensions

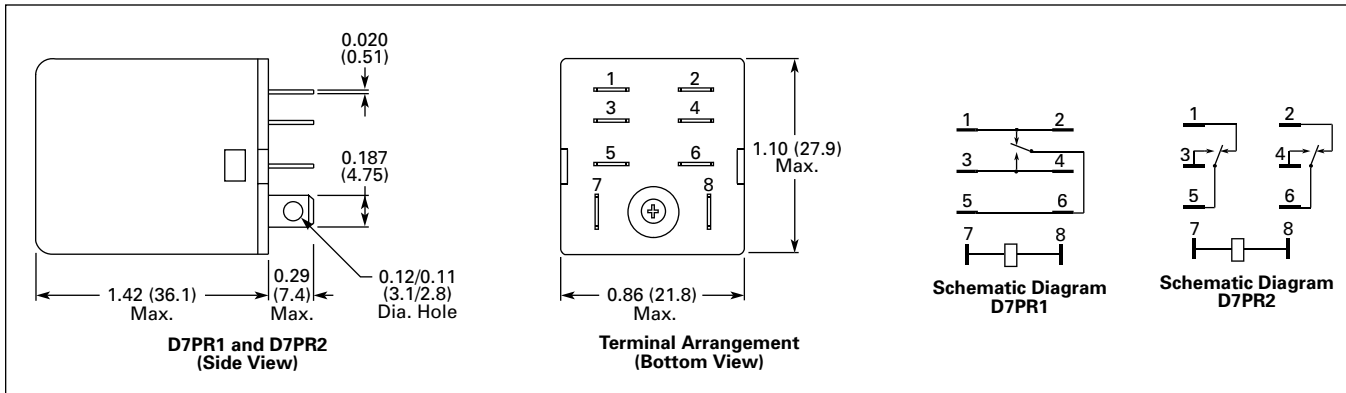


Figure 3-54. D7PR1 and D7PR2 — Approximate Dimensions in Inches (mm)

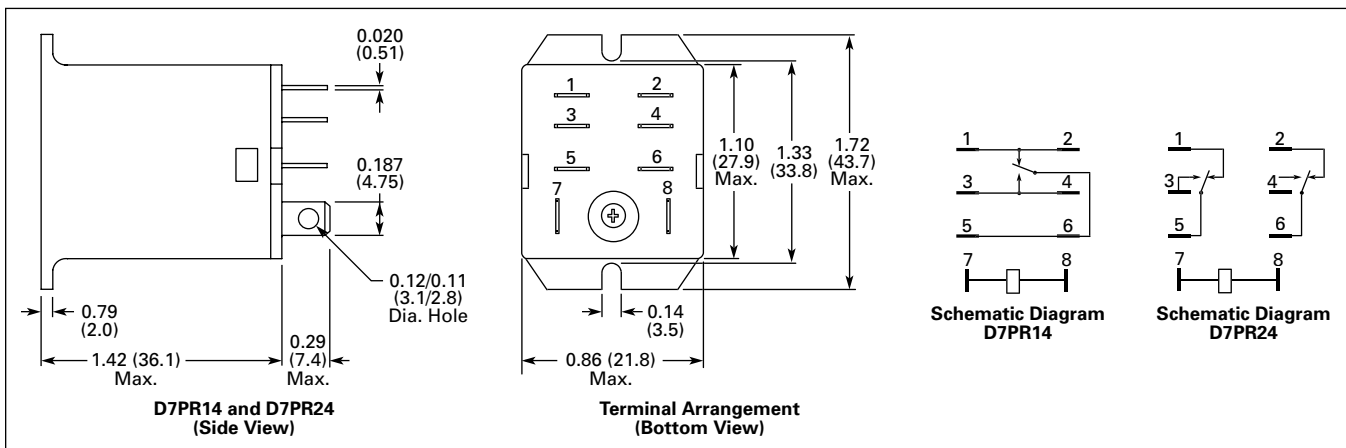


Figure 3-55. D7PR14 and D7PR24 — Approximate Dimensions in Inches (mm)

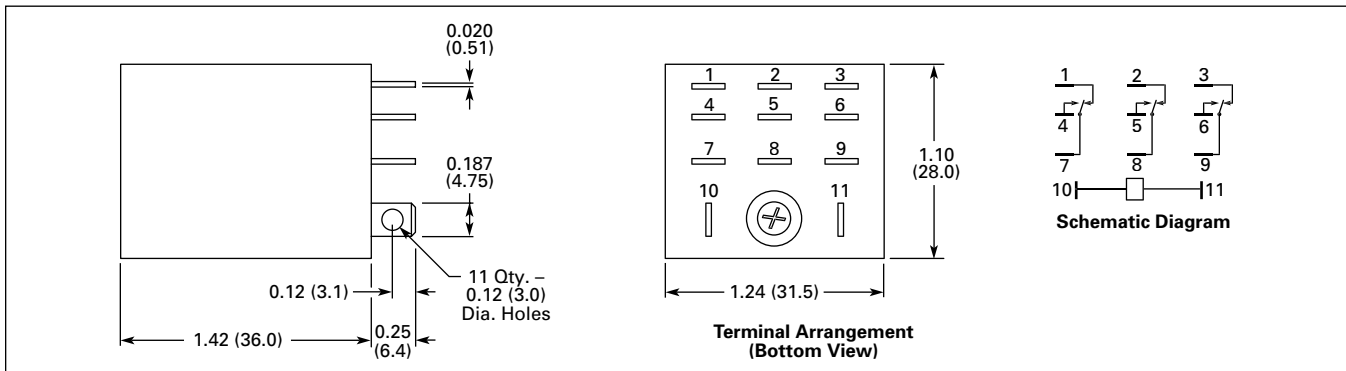


Figure 3-56. D7PR3 — Approximate Dimensions in Inches (mm)