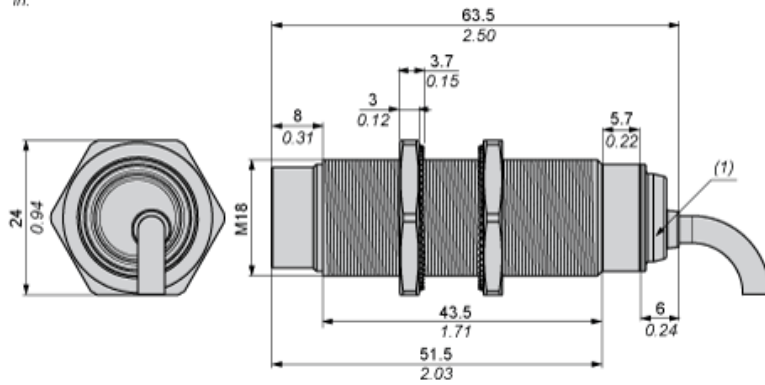


Dimensions

mm  
in.



(1) LED

---

Minimum Mounting Distances

---

Side by side



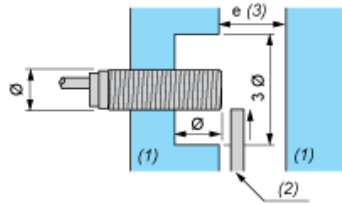
$e(1) \geq 2 \text{ mm}/2.83 \text{ in.}$

Face to face



$e(2) \geq 44 \text{ mm}/5.67 \text{ in.}$

Facing a metal object



$e(3) \geq 6 \text{ mm}/1.42 \text{ in.}$

(1) Metal

(2) Object to be detected