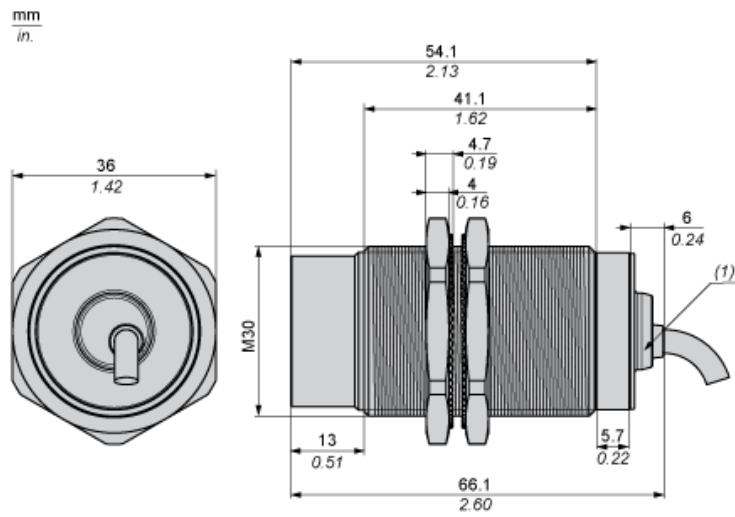


Dimensions



(1) LED

