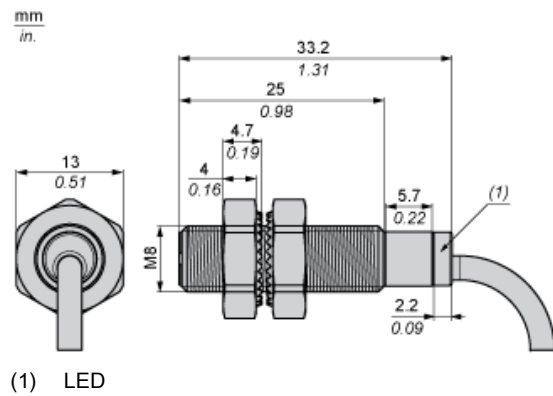


Dimensions



Minimum Mounting Distances

Side by side



e (1) \geq 3 mm/0.12 in.

Face to face



e (2) \geq 8 mm/0.71 in.

Facing a metal object



e (3) \geq 4.5 mm/0.18 in.