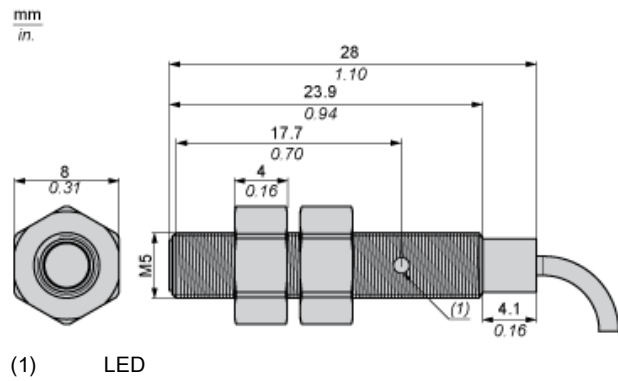
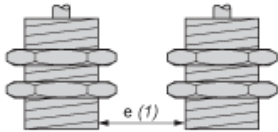


Dimensions



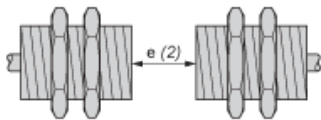
Minimum Mounting Distances in mm

Side by side



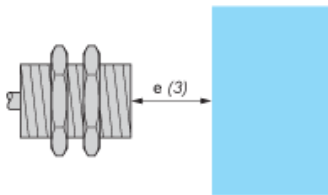
$e (1) \geq 2 \text{ mm}/0.79 \text{ in.}$

Face to face



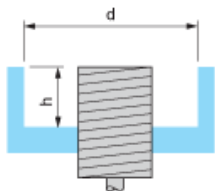
$e (2) \geq 12 \text{ mm}/0.47 \text{ in.}$

Facing a metal object



$e (3) \geq 3 \text{ mm}/0.12 \text{ in.}$

Mounted in a metal support



$d \geq 5 \text{ mm}/0.17 \text{ in.}$

$h \geq 0 \text{ mm}/0 \text{ in.}$

Tightening torque : 1.6 N.m. (values obtained with washers mounted)