

XS8D1A1PAL10

inductive sensor XS8 80x80x26 - PBT - Sn60mm - 12..24VDC - cable 10m



Main

| | |
|------------------------------------|---|
| Range of product | OsiSense XS |
| Series name | General purpose |
| Sensor type | Inductive proximity sensor |
| Device application | - |
| Sensor name | XS8 |
| Sensor design | Flat form 80 x 80 x 26 |
| Size | 26 mm |
| Body type | Fixed |
| Detector flush mounting acceptance | Non flush mountable |
| Material | Plastic |
| Enclosure material | PBT |
| Type of output signal | Discrete |
| Wiring technique | 3-wire |
| [Sn] nominal sensing distance | 40 mm flush mountable 60 mm non flush mountable |
| Discrete output function | 1 NO |
| Output circuit type | DC |
| Discrete output type | PNP |
| Electrical connection | Cable |
| Cable length | 10 m |
| [Us] rated supply voltage | 12...24 V DC with reverse polarity protection |
| Switching capacity in mA | <= 200 mA DC with overload and short-circuit protection |
| IP degree of protection | IP68 double insulation conforming to IEC 60529 |

Complementary

| | |
|--------------------------|--|
| Detection face | Frontal |
| Front material | PBT |
| Fine adjustment zone | 20...40 mm flush mountable 20...60 mm non flush mountable |
| Differential travel | 1...15% of Sr |
| Cable composition | 3 x 0.34 mm ² |
| Wire insulation material | PvR |
| Supply voltage limits | 10...36 V DC |
| Residual current | <= 1.5 mA for open state |
| Switching frequency | <= 150 Hz |
| Voltage drop | <= 2 V at closed state |
| Current consumption | <= 10 mA at no-load |
| Delay first up | <= 10 ms |
| Delay response | <= 0.3 ms |
| Delay recovery | <= 6 ms |
| Marking | CE |
| Depth | 26 mm |
| Height | 80 mm |
| Width | 80 mm |

The information provided in this documentation contains general descriptions and/or technical characteristics of the products contained herein. This documentation is not intended as a substitute for and is not to be used for determining suitability or reliability of these products for specific user applications. It is the duty of any such user or integrator to perform the appropriate and complete risk analysis, evaluation and testing of the products with respect to the relevant specific application or use thereof. Neither Schneider Electric Industries SAS nor any of its affiliates or subsidiaries shall be responsible or liable for misuse of the information contained herein.

Product weight 0.71 kg

Environment

| | |
|---------------------------------------|---|
| product certifications | CSA UL |
| ambient air temperature for operation | -25...70 °C |
| ambient air temperature for storage | -40...85 °C |
| vibration resistance | 25 gn amplitude = +/- 2 mm (f = 10...55 Hz) conforming to IEC 60068-2-6 |
| shock resistance | 50 gn for 11 ms conforming to IEC 60068-2-27 |

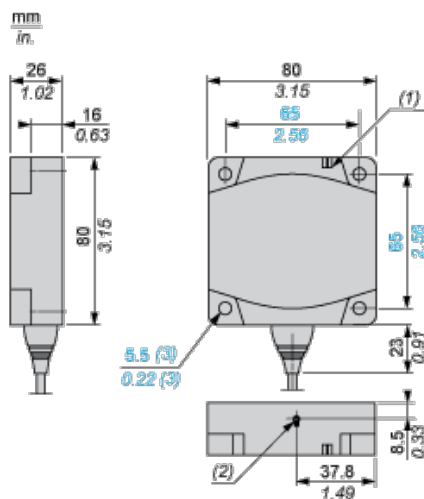
Offer Sustainability

| | |
|----------------------------------|---|
| Sustainable offer status | Green Premium product |
| RoHS (date code: YYWW) | Compliant - since 0825 - Schneider Electric declaration of conformity |
| REACH | Reference not containing SVHC above the threshold |
| Product environmental profile | Available |
| Product end of life instructions | Need no specific recycling operations |

Contractual warranty

| | |
|-----------------|-----------|
| Warranty period | 18 months |
|-----------------|-----------|

Dimensions

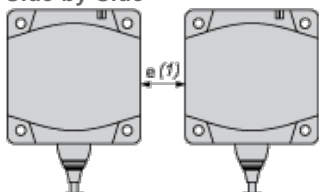


- (1) LED
- (2) Teach mode button
- (3) For CHC type screws

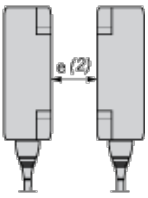
Setting-up

Minimum Mounting Distances (mm)

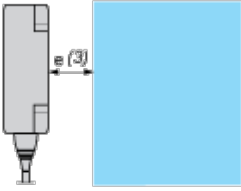
Side by Side



Face to Face



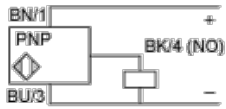
Facing a Metal Object



| | e (1) | e (2) | e (3) |
|-------------------|-------|-----------------|-------|
| Flush mounted | 200 | 400 | 40 |
| Not flush mounted | 600 | not recommended | |

Wiring Schemes

PNP



BU : Blue

BN : Brown

BK : Black