

# XU9N18PP341D

photo-electric sensor - XU9 - polarised - Sn 2m - 12..24VDC - M12



## Main

|                               |  |
|-------------------------------|--|
| Range of product              | OsiSense XU                                |
| Series name                   | Application food and beverage              |
| Electronic sensor type        | Photo-electric sensor                      |
| Sensor name                   | XU9  |
| Sensor design                 | Cylindrical M18                            |
| Detection system              | Polarised reflex                           |
| Material                      | Stainless steel                            |
| Line of sight type            | Axial                                      |
| Type of output signal         | Discrete                                   |
| Supply circuit type           | DC   |
| Wiring technique              | 3-wire                                     |
| Discrete output type          | PNP  |
| Discrete output function      | 1 NO or 1 NC programmable                  |
| Electrical connection         | 1 male connector M12, 4 pins               |
| Product specific application  | -  |
| Emission                      | Red polarised reflex                       |
| [Sn] nominal sensing distance | 2 m polarised reflex need reflector XUZC50 |

## Complementary

|                           |  |
|---------------------------|--|
| Enclosure material        | Stainless steel : 304 CU                                       |
| Lens material             | PMMA   |
| Maximum sensing distance  | 3 m  |
| Output type               | Solid state  |
| Add on output             | Without  |
| Add on input              | Programmation  |
| Cable composition         | 4 x 0.34 mm <sup>2</sup>                                       |
| Wire insulation material  | PvR  |
| Cable outer diameter      | 4.2 mm   |
| Status LED                | 1 LED (green) for supply on<br>1 LED (yellow) for output state |
| [Us] rated supply voltage | 12...24 V DC with reverse polarity protection                  |
| Supply voltage limits     | 10...30 V DC   |
| Switching capacity in mA  | <= 100 mA (overload and short-circuit protection)              |
| Switching frequency       | <= 500 Hz  |
| Voltage drop              | <= 1.5 V (closed state)  |
| Current consumption       | <= 30 mA (no-load)   |
| Delay first up            | <= 15 ms   |
| Delay response            | <= 1 ms  |
| Delay recovery            | <= 1 ms  |
| Setting-up                | Without sensitivity adjustment                                 |
| Diameter                  | 18 mm  |
| Length                    | 64 mm  |
| Product weight            | 0.085 kg   |
| Kit composition           | Sensor<br>Reflector XUZC50                                     |

## Environment

The information provided in this documentation contains general descriptions and/or technical characteristics of the products contained herein. This documentation is not intended as a substitute for and is not to be used for determining suitability or reliability of these products for specific user applications. It is the duty of any such user or integrator to perform the appropriate and complete risk analysis, evaluation and testing of the products with respect to the relevant specific application or use thereof. Neither Schneider Electric Industries SAS nor any of its affiliates or subsidiaries shall be responsible or liable for misuse of the information contained herein.

|                                       |  |
|---------------------------------------|--|
| product certifications                | CE<br>CSA<br>UL  |
| ambient air temperature for operation | -25...55 °C  |
| ambient air temperature for storage   | -40...70 °C  |
| vibration resistance                  | 25 gn, amplitude = +/- 1.5 mm (f = 10...55 Hz) conforming to IEC 60068-2-6 |
| shock resistance                      | 30 gn (duration = 11 ms) conforming to IEC 60068-2-27                      |
| IP degree of protection               | IP67 conforming to IEC 60529   |

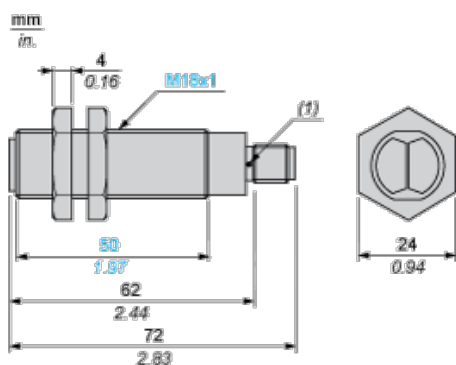
## Offer Sustainability

|                          |   |
|--------------------------|---|
| Sustainable offer status | Not Green Premium product   |
| RoHS (date code: YYWW)   | Compliant - since 1402 - Schneider Electric declaration of conformity |
| REACH                    | Reference not containing SVHC above the threshold                     |

## Contractual warranty

|                 |           |
|-----------------|-----------|
| Warranty period | 18 months |
|-----------------|-----------|

## Dimensions



(1) LED

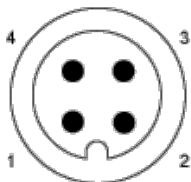
## Mounting and Clearance

Fixing nut tightening torque: < 15 N.m

Connector tightening torque: 2 N.m

## Wiring Schemes

### M12 Connector



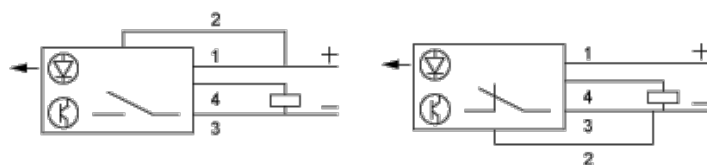
3 : (-)

1 : (+)

4 : OUT/Output

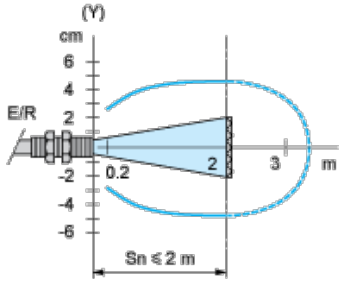
2 : Prog

### 3-wire, PNP NO or NC Programmable Function



## Detection Curves

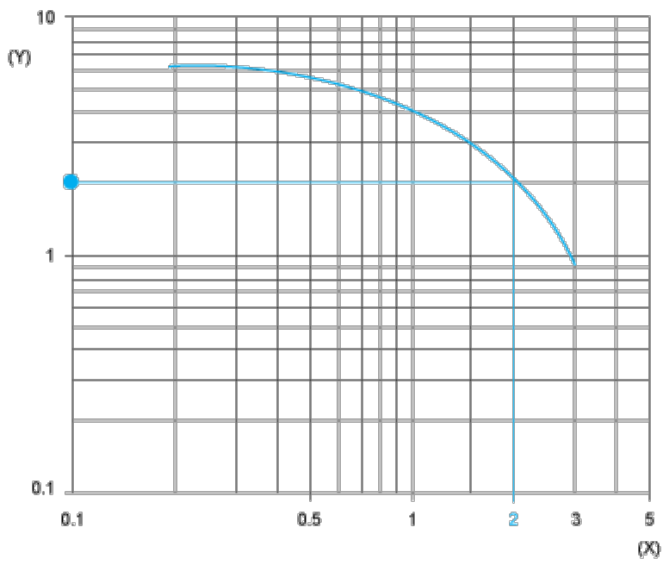
### Polarised Reflex System with Reflector XUZC50



(y)  $\varnothing$  of beam

## Excess Gain Curves (Ambient Temperature: + 25° C)

### Polarised Reflex System with Reflector XUZC50



(y) Gain

(x) Distance (m)