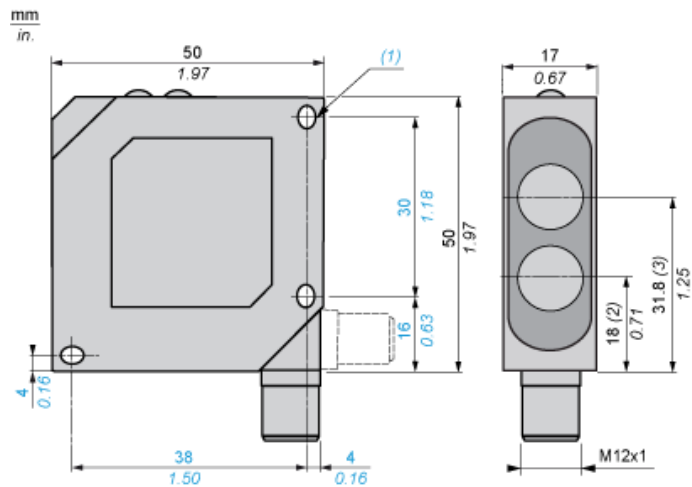


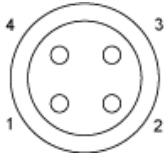
Dimensions



- (1) 2 elongated holes  $\text{Ø} 4.3 \times 4$
- (2) Transmitter optical axis
- (3) Receiver optical axis

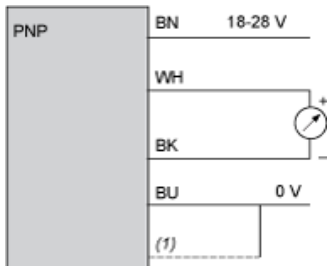
Wiring Schemes

M12



- 1 : Brown
- 2 : White
- 3 : Blue
- 4 : Black

PNP Output



- (+) BN : Brown
- WH : White
- (-) BU : Blue
- BK : Black
- (1) Shielding

NOTE: Shielded cable recommended