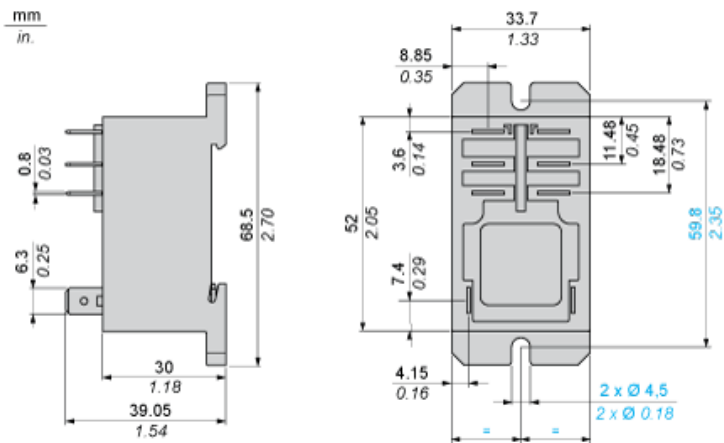
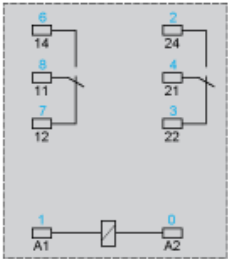


Dimensions



Wiring Diagram



Symbols shown in blue correspond to Nema marking.