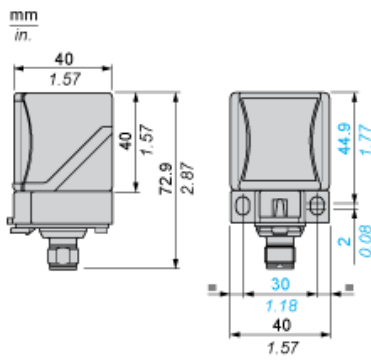


Dimensions



Mounting

Head Positions

