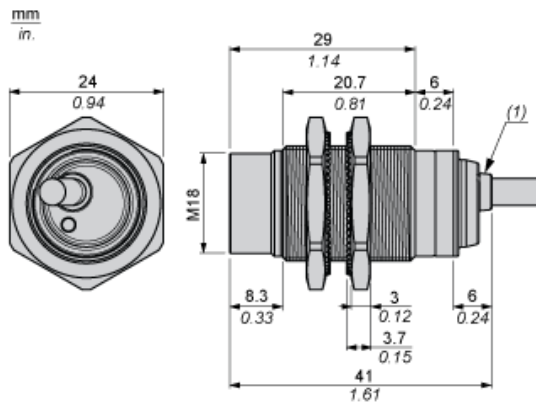


Dimensions

Pre-cabled



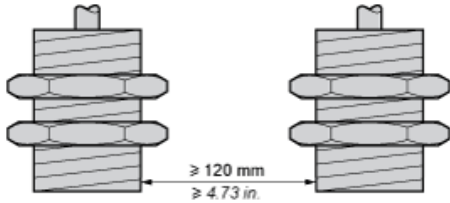
---

Mounting and Clearance

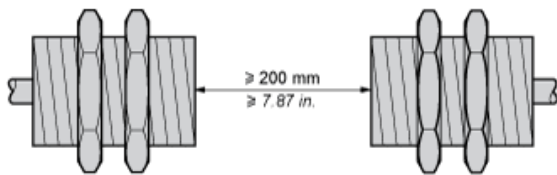
---

Minimum Mounting Distances

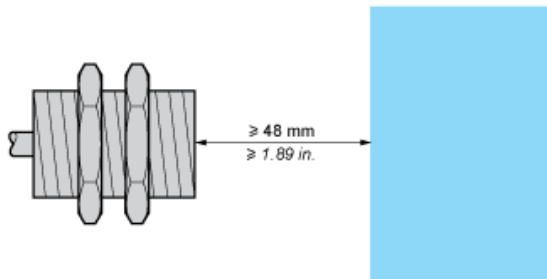
Side by Side



Face to Face



Facing a Metal Object



Mounted in a Metal Support

