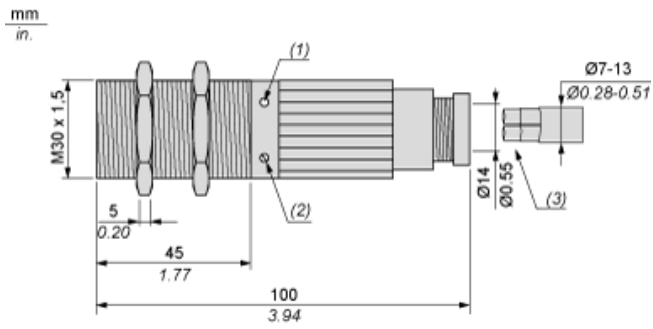


Dimensions



- (1) LED
- (2) Potentiometer
- (3) 2 x 1 mm<sup>2</sup> to 2.5 mm<sup>2</sup> wires max.

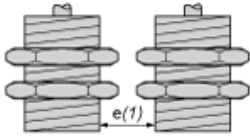
---

Setting-up

---

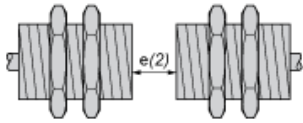
Minimum Mounting Distances (mm)

Side by side



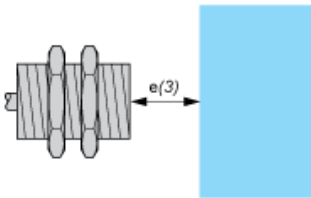
$$e(1) \geq 16$$

Face to face



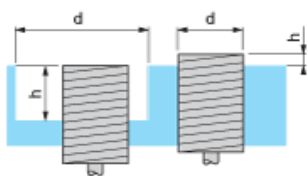
$$e(2) \geq 1350$$

Facing a metal object



$$e(3) \geq 675$$

Mounted in support



$$d \geq 90$$

$$h \geq 30$$

Fixing nut tightening torque: 4 N.m