

# GP2Y1010AU0F

## Compact Optical Dust Sensor



### ■ Description

**GP2Y1010AU0F** is a dust sensor by optical sensing system.

An infrared emitting diode (IRED) and an phototransistor are diagonally arranged into this device.

It detects the reflected light of dust in air.

Especially, it is effective to detect very fine particle like the cigarette smoke.

In addition it can distinguish smoke from house dust by pulse pattern of output voltage.

### ■ Features

1. Compact, thin package (46.0 × 30.0 × 17.6 mm)
2. Low consumption current (Icc: MAX. 20 mA)
3. The presence of dust can be detected by the photometry of only one pulse
4. Enable to distinguish smoke from house dust
5. Lead-free and RoHS directive compliant

### ■ Compliance

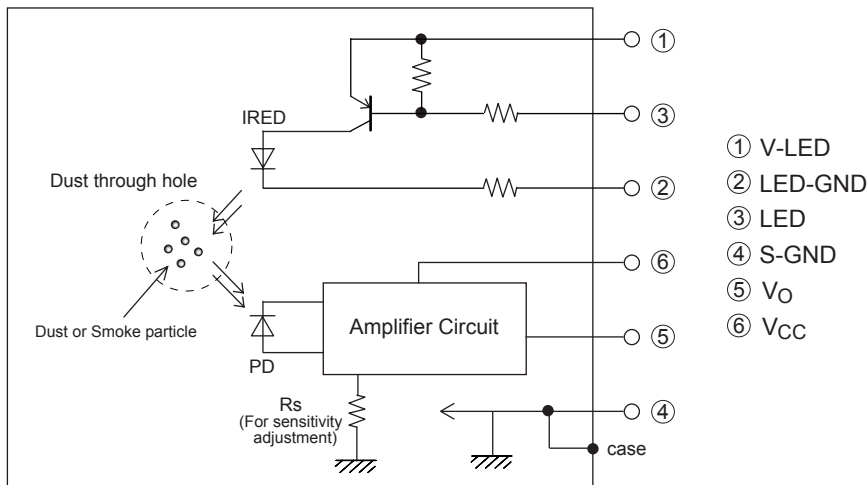
1. Compliant with RoHS directive (2002/95/EC)

### ■ Applications

1. Detecting of dust in the air.
2. Example: Air purifier, Air conditioner, Air monitor

Notice The content of data sheet is subject to change without prior notice.  
In the absence of confirmation by device specification sheets, SHARP takes no responsibility for any defects that may occur in equipment using any SHARP devices shown in catalogs, data books, etc. Contact SHARP in order to obtain the latest device specification sheets before using any SHARP device.

■ Internal schematic



■ Outline Dimensions

(Unit : mm)

