

Typical performance curves

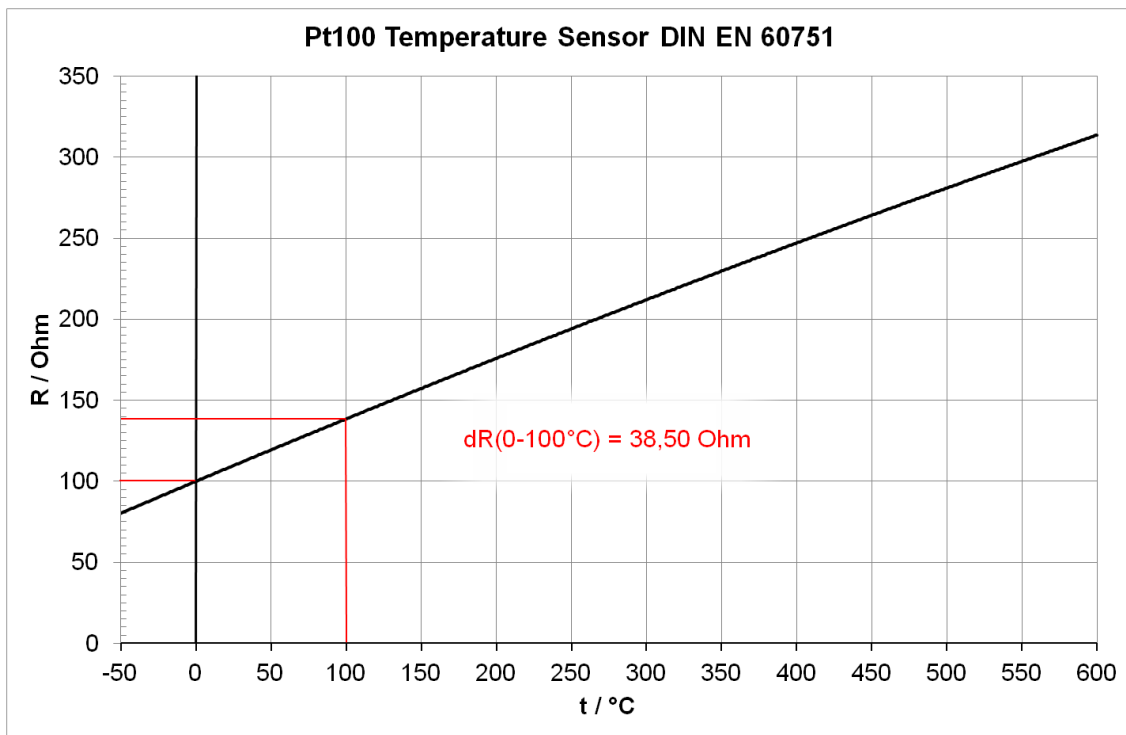


Figure 1: Resistance characteristics

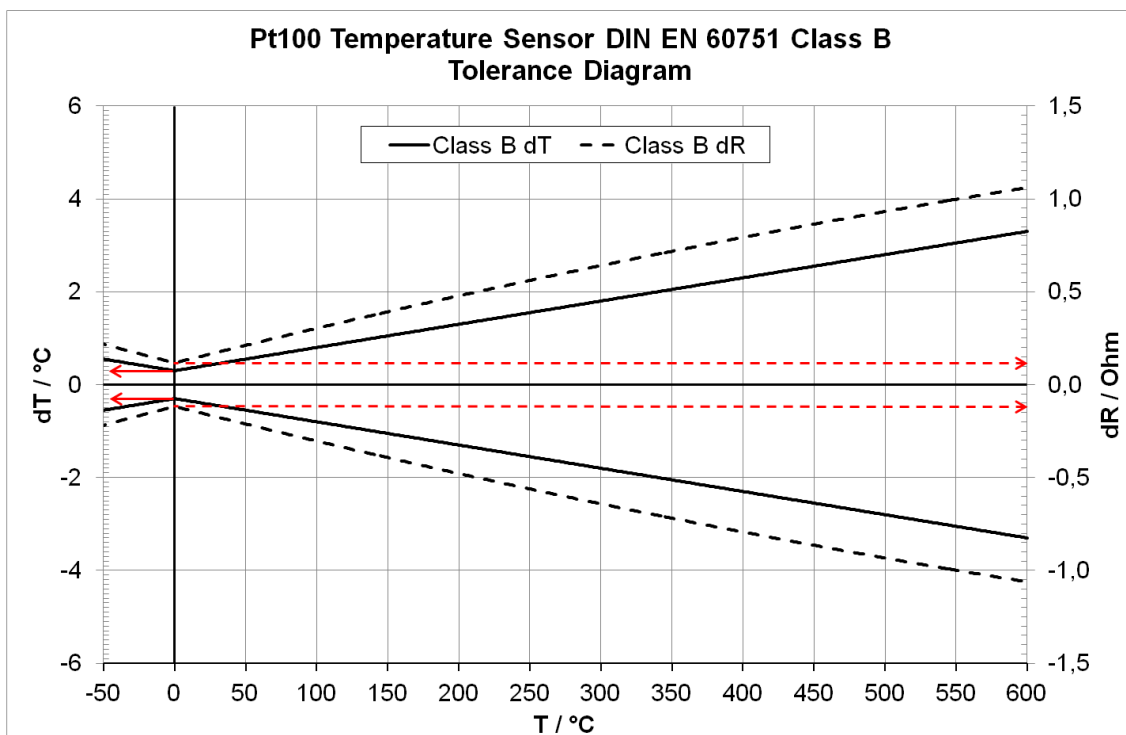


Figure 2: Tolerance chart

Mechanical Dimensions PTFC Outline

Wire diameter depends on wire material, drawings are for Au-coated Ni-wire

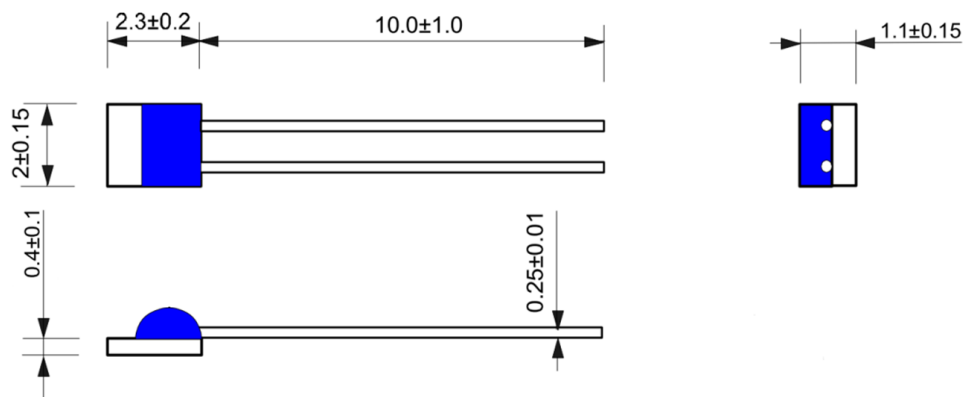


Figure 3: Mechanical dimensions PTFC outline

Mechanical Dimensions PTFD Outline

Wire diameter depends on wire material, drawings are for Au-coated Ni-wire

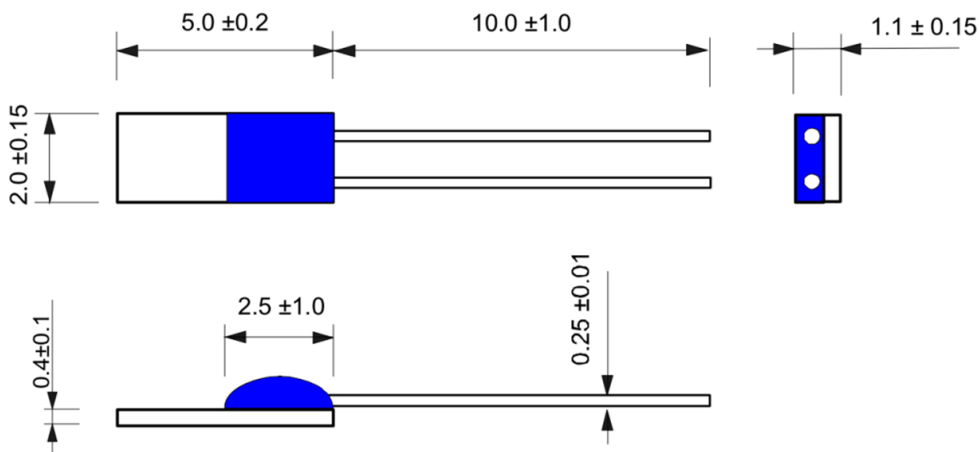


Figure 4: Mechanical dimensions PTFD outline

Mechanical Dimensions PTFF Outline

Wire diameter depends on wire material, drawings are for Au-coated Ni-wire

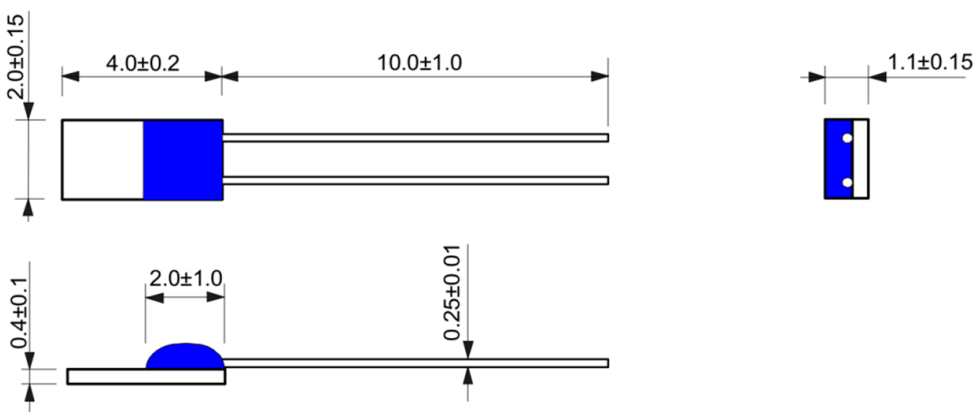


Figure 5: Mechanical dimensions PTFF outline