

**Operating Specifications (Analog)**

(Unless otherwise specified, all parameters are measured at 25°C @ 5.0V applied)

Parameter	Symbol	Min	Typ	Max	Units	Notes/Conditions
Zero offset <sup>1</sup>		-15		15	mV/V	mV Output only
		300	500	700	mV	0.5-4.5V Output only
Full scale span <sup>1</sup>		16	20	24	mV/V	mV Output only
		3800	4000	4200	mV	0.5-4.5V Output only
Non-linearity		-1		1	%Span	BFSL
Hysteresis		-0.8		0.8	%Span	
Zero repeatability		-0.8		0.8	%Span	
Span repeatability		-0.8		0.8	%Span	
Thermal shift for zero		-0.05		0.05	%Span/°C	Reference to 25°C, over compensated temperature
Thermal shift for span		-0.05		0.05	%Span/°C	
Cycle life		1E+6				0 to full scale cycles
Deflection at rated load				0.03	mm	
Weight			6.0		grams	Without ribbon cable

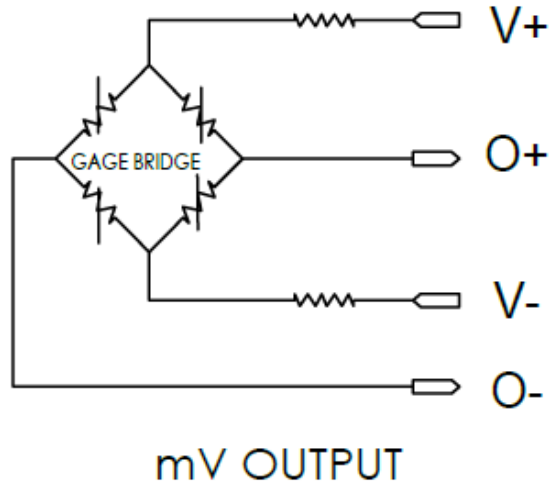
<sup>(1)</sup>Span and zero offset are ratiometric to power supply voltage

**Environmental Specifications (Analog)**

(Unless otherwise specified, all parameters are measured at 25°C @ 5.0V applied)

Parameter	Symbol	Min	Typ	Max	Units	Notes/Conditions
Compensated temperature range	T <sub>o</sub>	0		50	°C	0.5-4.5V Output only
Storage temperature	T <sub>s</sub>	-40		85	°C	
Ambient humidity		0		85	%RH	Non-condensing
EMI/RFI/ESD protection		IEC61000-4-2 (8kV <sub>air</sub> /4kV <sub>contact</sub> ) IEC61000-4-3 (3V/m) IEC55032 Class A				mV Output only
Ingress protection	IP		43			
Media compatibility		External exposed surfaces: 17-4 and 304 stainless steel				Excluding cable & connector

**Schematic Diagram – mV output (Analog)**



**Block Diagram – 0.5 to 4.5V output (Analog)**

