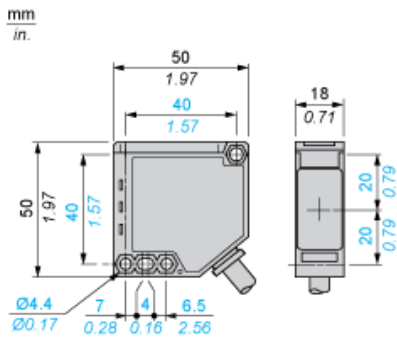


Dimensions

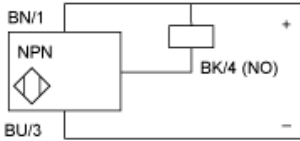


---

Wiring Schemes

---

NPN Outputs



- BN : Brown
- BU : Blue
- BK : Black