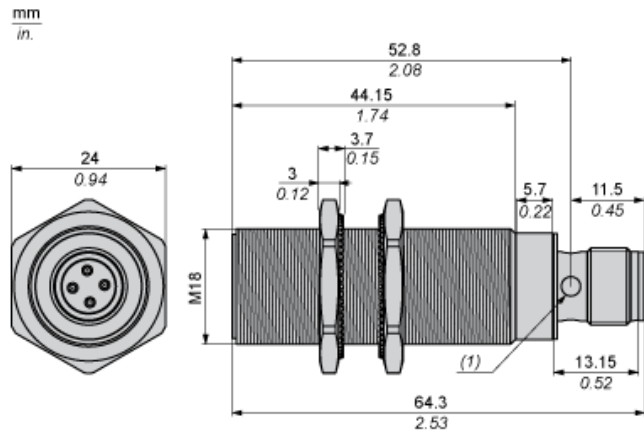


Dimensions



Minimum Mounting Distances

Side by side



$e (1)$ 32 mm/1.26 in.

\geq

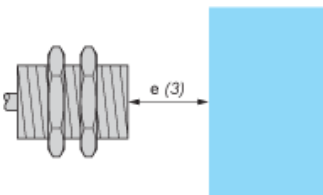
Face to face



$e (2)$ 96 mm/3.78 in.

\geq

Facing a metal object



$e (3)$ 24 mm/0.94 in.

\geq

Mounted in a metal support



$d \geq$ 56 mm/2.20 in.

$h \geq$ 16 mm/0.63 in.