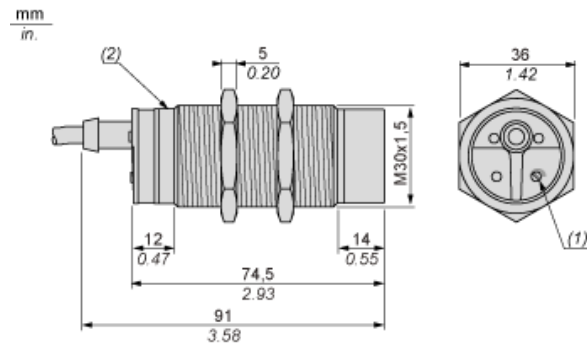


Dimensions

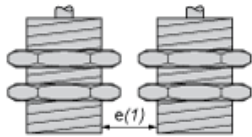


- (1) Adjustment potentiometer
- (2) LED

Setting-up

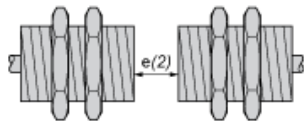
Minimum Mounting Distances (mm)

Side by side



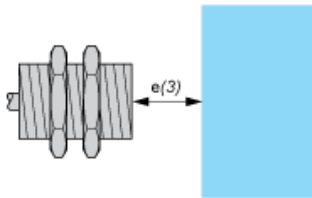
$$e(1) \geq 60$$

Face to face



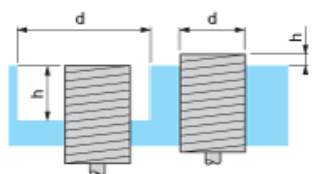
$$e(2) \geq 90$$

Facing a metal object



$$e(3) \geq 45$$

Mounted in support



$$d \geq 90$$

$$h \geq 30$$

Fixing nut tightening torque: 8 N.m