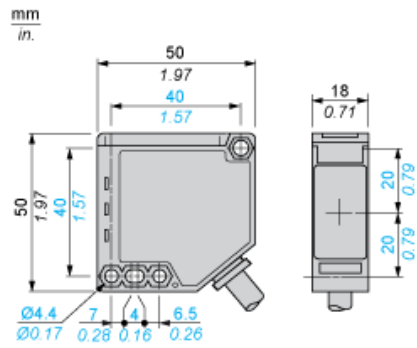
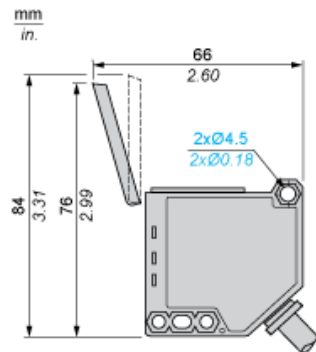


Dimensions



With cover open

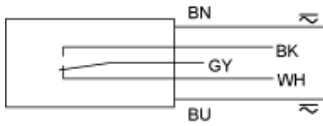


---

## Connections and Schemes

---

### Cable Connection, Relay Output



AC/DC : BN (Blue)

AC/DC : BN (Brown)

Relay common (Grey)

NO : BK (Black), detection of object

NC : WH (White), detection of object absence