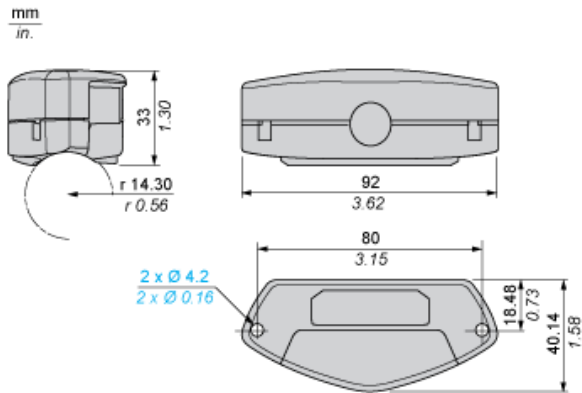
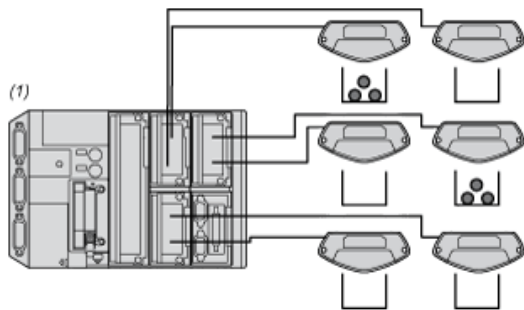


Dimensions

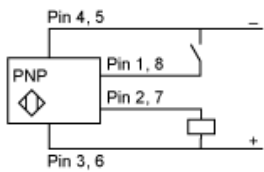


## Direct Point to Point Connection to PLC



(1) PLC (Programmable logic controller)

## Connection for Setup Mode



## Connection for Operating Mode

