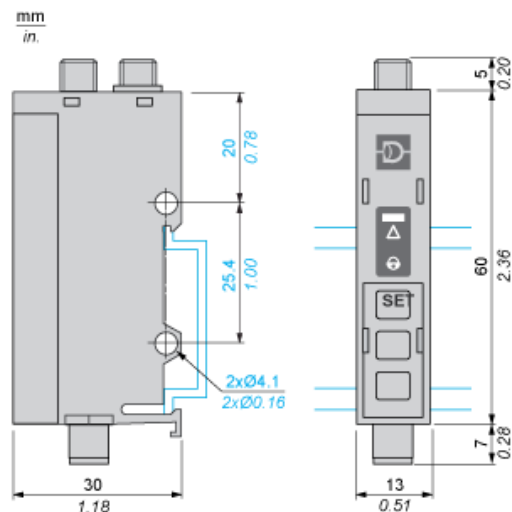
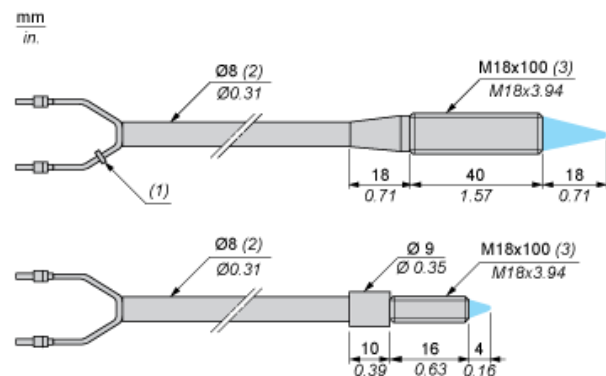


Dimensions

Sensors Dimensions



Fibres Dimensions (To be Ordered Separately)



- (1) The ring indicates that the fibre is transmitting
- (2) Bend radius: 15 mm
- (3) 2 nuts included with fibre optic

Mounting and Clearance

Mounting on 35 mm rail

