


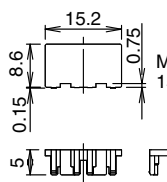
RF2 2-pole Force Guided Relay / SJ Series Socket

Socket Specifications

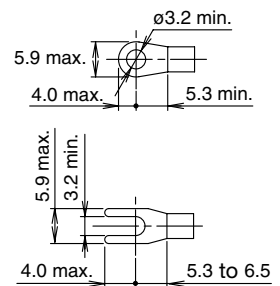
Model	SJ2S-05B/-07L		SJ2S-61	
Mounting	DIN Rail		PC Board	
Rated Current	8A			
Rated Insulation Voltage	250V AC/DC			
Applicable Wire	2mm ²		-	
Applicable Crimping Terminal	See dimensions below		-	
Recommended Tightening Torque	0.6 to 1.0 N-m		-	
Screw Terminal Style	M3 slotted Phillips screw (self-lifting)		-	
Terminal Strength	Wire tensile strength: 50N minimum		-	
Dielectric Strength (Note)	Between contact and coil	4000V AC, 1 minute	5000V AC, 1 minute	
	Between contacts of the same pole	1000V AC, 1 minute		
	Between contacts of the different pole	3000V AC, 1 minute		
Vibration Resistance	Damage limits	90m/s ²		
	Resonance	Frequency 10 to 55Hz, amplitude 0.75mm		
Shock Resistance (damage limits)	1000m/s ²			
Operating Temperature	-40 to +70°C (no freezing)			
Operating Humidity	5 to 85% RH (no condensation)			
Storage Temperature	-55 to +85°C (no freezing)			
Storage Humidity	5 to 85% RH (no condensation)			
Degree of Protection (Screw Terminal)	SJ2S-07L: IP20 (IEC 60529)		-	
Weight	34g		4.5g	

Note: The above are same when used with a RF2 force guided relay.

Accessories


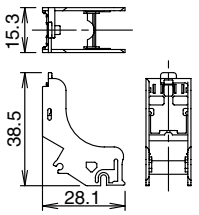
Description/Shape	Material	Part No.	Remarks
Removable Marking Plate 	Plastic (white)	SJ9Z-PW	 Marking area: 15.2 × 7.25 mm
Jumper	For 2 sockets	SJ9Z-JF2	Terminal centers: 15.5mm Rated current: 12A Ensure that the total current to the jumper does not exceed the maximum current.
	For 5 sockets	SJ9Z-JF5	
	For 8 sockets	SJ9Z-JF8	
	For 10 sockets	SJ9Z-JF10	

Applicable Crimping Terminal



Note: Ring terminal cannot be used on SJ2S-0L.

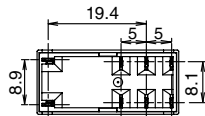
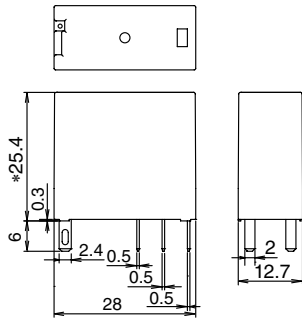
Replacement Parts

Description/Shape	Material	Part No.	Dimensions (mm)
Release Lever (with integrated marking plate) 	Plastic (gray)	SJ9Z-CM	 When not using marking plate

RF2 2-pole Force Guided Relay / SJ series Socket

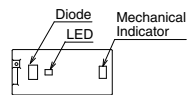
Relay Dimensions

RF2S (plug-in terminal)
Standard (without LED/diode)

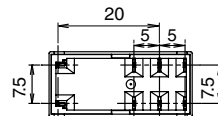
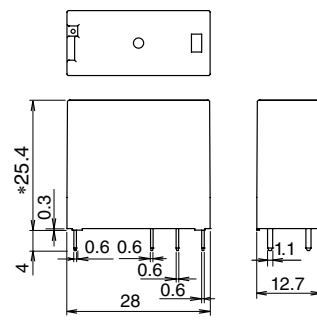


* With LED/diode: 28.4

With LED/diode

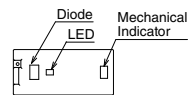


RF2V (PC board terminal)
Standard (without LED/diode)



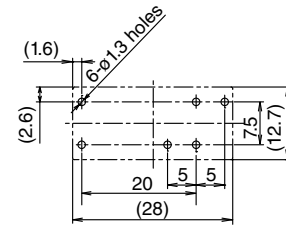
* With LED/diode: 28.4

With LED/diode

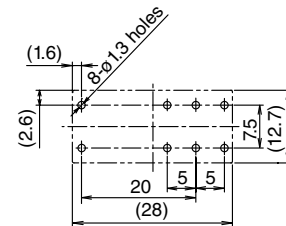


PC Board Terminal
Mounting Hole Layout
(Bottom View)

RF2V (SPST-NO + SPST-NC)

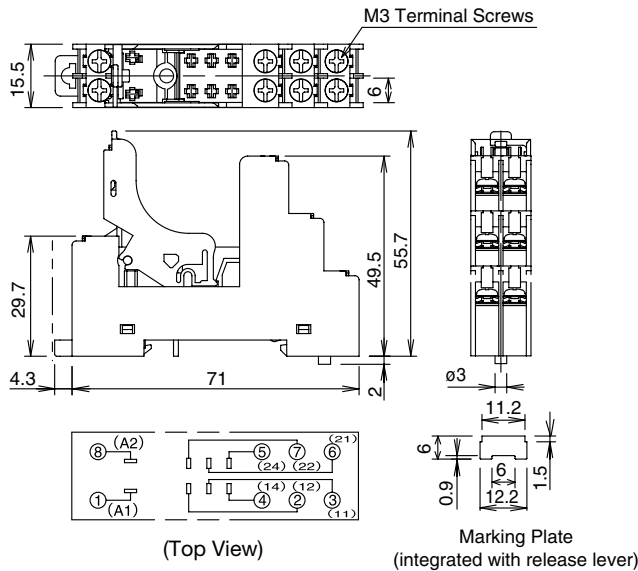


RF2V (DPDT)

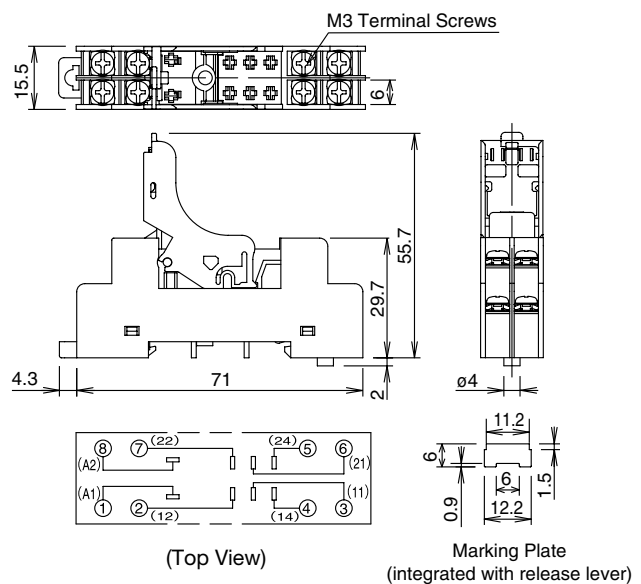


Socket Dimensions

SJ2S-07L



SJ2S-05B



SJ2S-61

