

RQ Series — General Purpose Relays

IDEC's RQ relays are low-profile, PCB relays that provide quality within a compact package. Size equals value. RQ relays are small, yet maintain high contact ratings and long operational life. For larger power needs, a 16A model is also available.

Key features of the RQ series include:

- Low profile: 29 x 12.7 x 15 mm
- Contact rating: 8A (DPDT) and 12A (SPDT)
- Power relay model with 16A contact rating (SPDT)
- Operational life:
100K cycles at full resistive load
10 million cycles, no load
- LED/Diode Plug-in modules available with DIN rail socket
- Lead-free



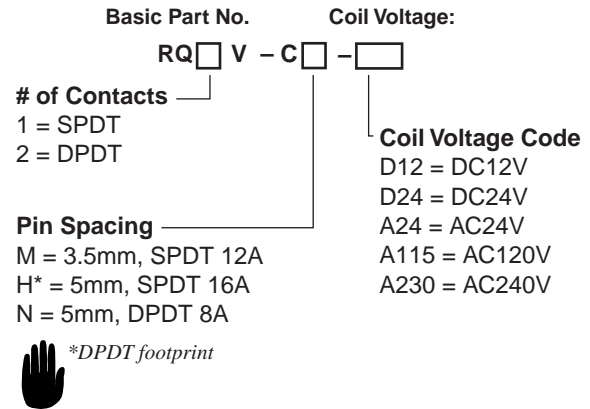
Relays

		RQ1	RQ2	RQ1 HC
Specifications	No. of poles	1	2	1
	Contact Configuration	SPDT	DPDT	SPDT
	Contact Rating	12A	8A	16A
	Contact Material	Silver-Nickel alloy		
	Contact Resistance	100 milliohms max		
	Operating Time	12 ms max		
	Release Time	8 ms max		
	Dielectric Strength	Between contact & coil	5,000VAC, 1 minute	
		Between contacts	1,000VAC, 1 minute	
	Vibration Resistance	Damage limits	10-55 Hz, amplitude 1.5mm	
Operating extremes		10-55 Hz, amplitude 1.5mm		
Shock Resistance	Damage limits	100m/s ² min (10G)		
	Operating extremes	1,000m/s ² min (100G)		
Mechanical Life		10,000,000 operations		
Electrical Life @ Full Rated Load		100,000 operations		
Operating Temperature		-40 to 85° C		
Operating Humidity		45 to 85% RH		
Dimensions (H x W x D mm)		29 x 12.7 x 15		
Weight (Approx.)		15g		



Ordering Information

Consult factory for other voltages.



Part Numbers

Coil Voltage	SPDT 12A	DPDT 8A	SPDT 16A
12V DC	RQ1V-CM-D12	RQ2V-CN-D12	RQ1V-CH-D12
24V DC	RQ1V-CM-D24	RQ2V-CN-D24	RQ1V-CH-D24
24V AC	RQ1V-CM-A24	RQ2V-CN-A24	RQ1V-CH-A24
120V AC	RQ1V-CM-A115	RQ2V-CN-A115	RQ1V-CH-A115
240V AC	RQ1V-CM-A230	RQ2V-CN-A230	RQ1V-CH-A230

Ratings

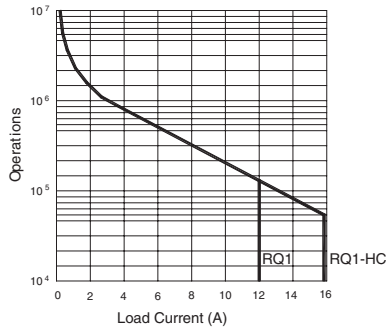
Coil Ratings

Coil Sensitivity	Nominal Voltage	Nominal Current	Coil Resistance	Power Consumption	Pull-in Voltage	Drop-Out Voltage	Max Allowable Voltage
DC Coil	12V	33.3mA	360Ω	0.40W	80% Max	5% Min	130%
	24V	16.7mA	1,440Ω				
	110V	4.1mA	26,530Ω				
AC Coil (60 Hz)	24V	25.35mA	350Ω	0.61W	80% Max	30% Min	130%
	115V	6.3mA	8,100Ω	0.73W			
	230V	2.72mA	32,500Ω	0.63W			

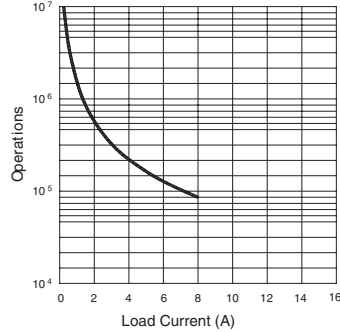
Electrical Life Curves/Maximum Switching Capacity

Electrical Life Curves

RQ1 & RQ1 High Capacity

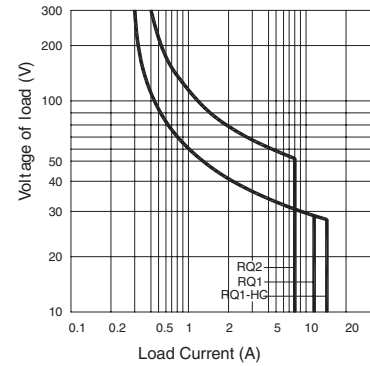


RQ2



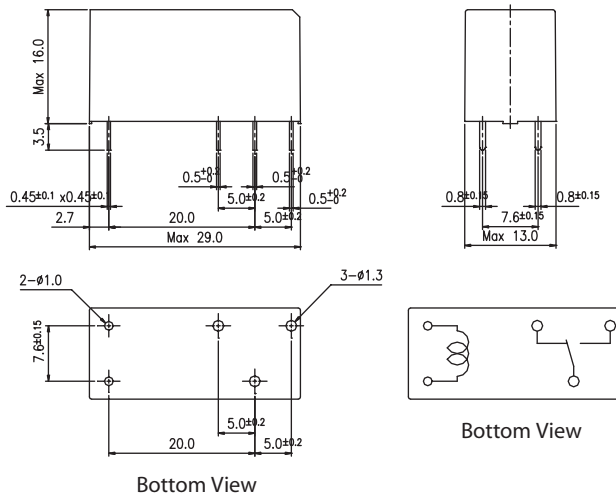
Maximum Switching Capacity

RQ1, RQ1 High Capacity & RQ2

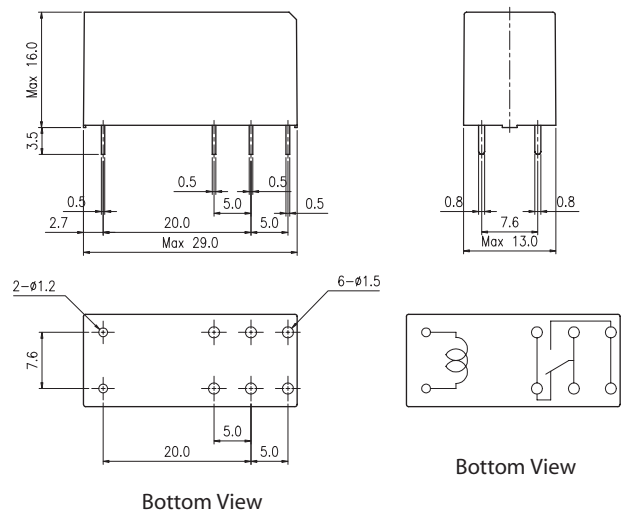


Dimensions & Mounting Hole Layouts

RQ1



RQ2/RQ1 HC



Part Numbers: Accessories

Part Numbers	Description
SQ1V-07B	SPDT Finger-safe Socket
SQ2V-07B	DPDT Finger-safe Socket
SQ9Z-C	Replacement Retaining Clip
SQ9Z-LD	Socket Plug-in LED & Diode Module (6-24V DC)
SQ9Z-LR	Socket Plug-in LED & RC Module (110-230V AC)
SQ9Z-P	Replacement Marking Plate

Dimensions are in mm.