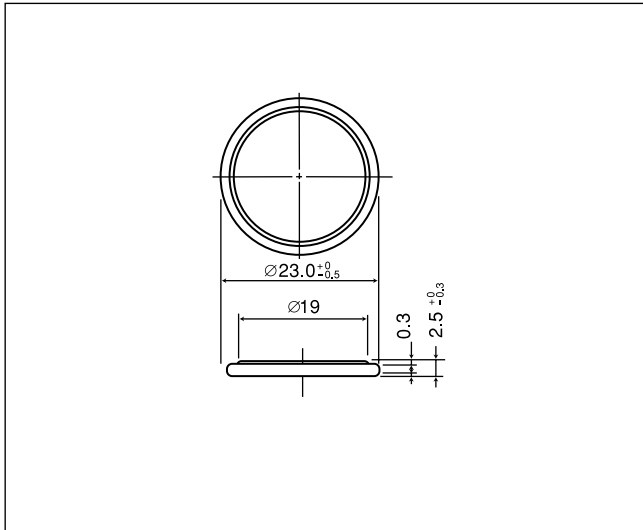


## BR2325

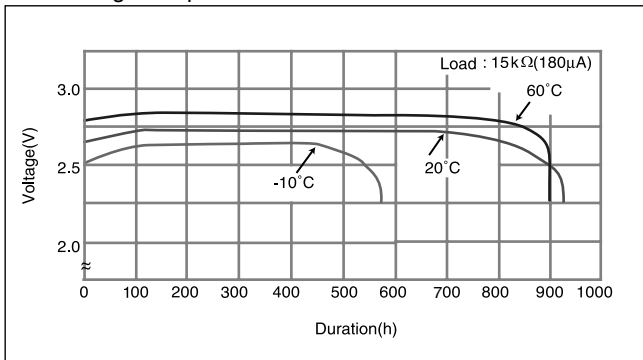
### ■ Dimensions(mm)



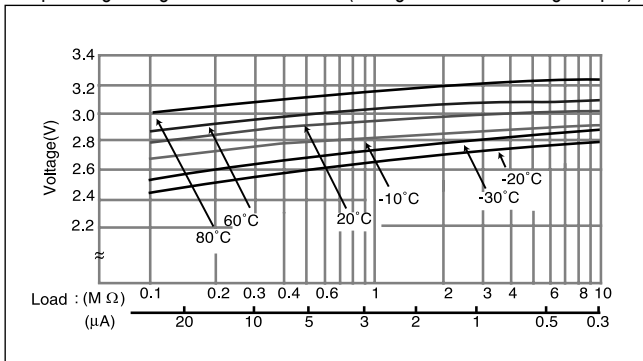
### ■ Specification

Nominal voltage(V)	3
Nominal capacity(mAh)	165
Continuous drain(mA)	0.03
Operating temperature(°C)	-30 to +80

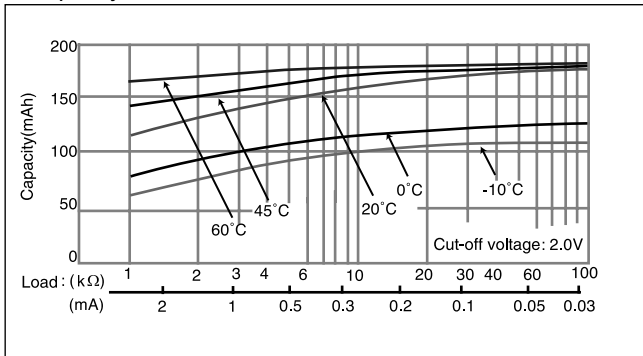
### ■ Discharge temperature characteristics



### ■ Operating voltage vs. load resistance(voltage at 50% discharge depth)

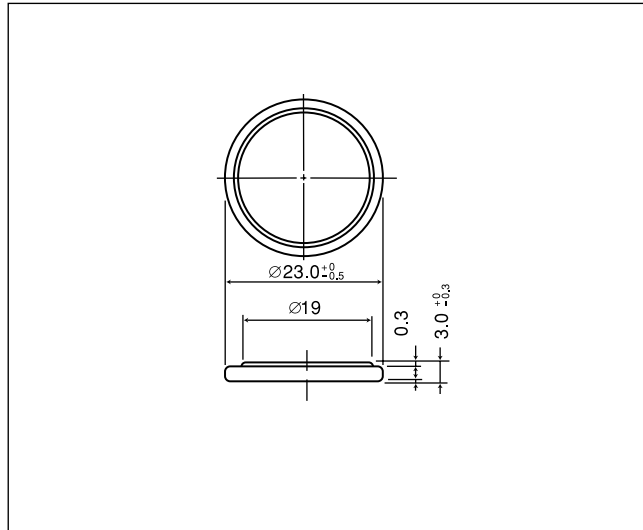


### ■ Capacity vs. load resistance



## BR2330

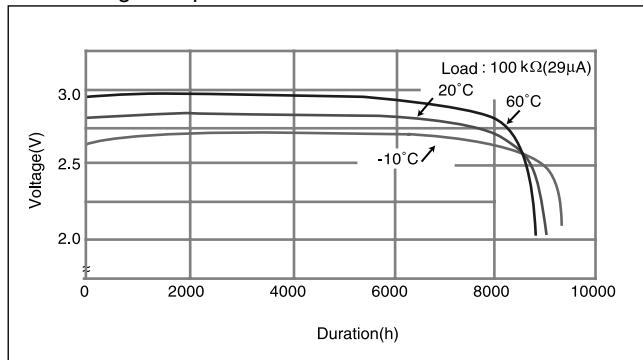
### ■ Dimensions(mm)



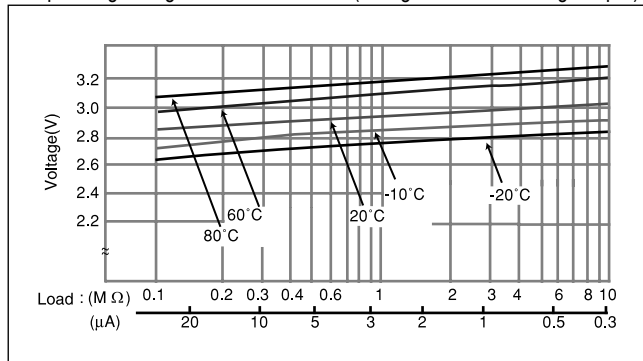
### ■ Specification

Nominal voltage(V)	3
Nominal capacity(mAh)	255
Continuous drain(mA)	0.03
Operating temperature(°C)	-30 to +80

### ■ Discharge temperature characteristics



### ■ Operating voltage vs. load resistance(voltage at 50% discharge depth)



### ■ Capacity vs. load resistance

