

# SL-2770 Size: C

> iXtra – long term high performance

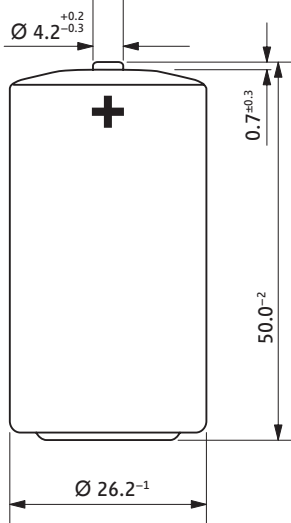
### Performance Data

(Typical values for batteries stored at +25 °C for one year)

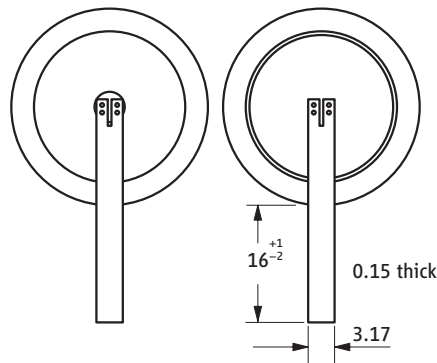
|                                   |                          |
|-----------------------------------|--------------------------|
| System                            | Lithium Thionyl Chloride |
| Nominal voltage                   | 3.6 V                    |
| Nominal capacity                  | 8.5 Ah                   |
| Nominal current                   | 3 mA                     |
| Max. continuous discharge current | 230 mA                   |
| Pulse current capability          | 400 mA                   |
| Anode surface area                | 30 cm <sup>2</sup>       |
| Lithium content                   | 2.5 g                    |
| Weight                            | 49.5 g                   |
| Volume                            | 26 cm <sup>3</sup>       |
| Temperature range                 | -55 °C ... +85 °C        |



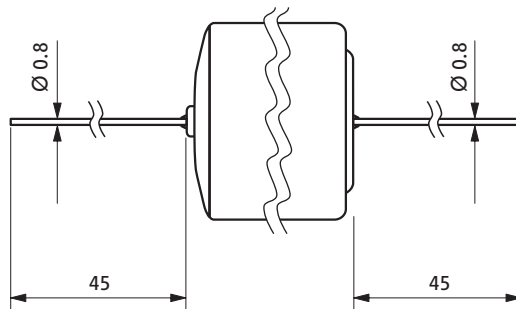
SL-2770/S



SL-2770/T



SL-2770/P

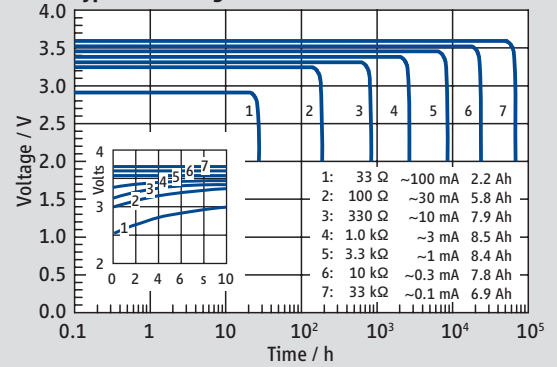


### Available Terminations

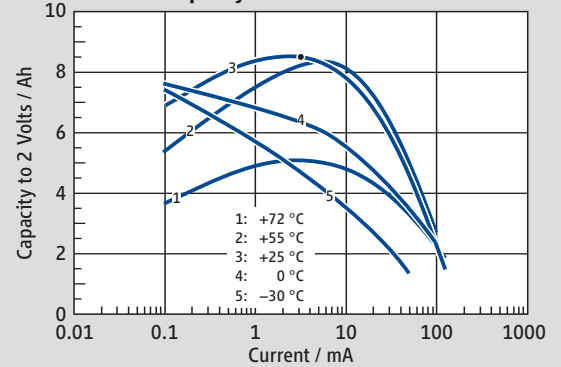
|           |          |                             |
|-----------|----------|-----------------------------|
| SL-2770/S | Standard | Catalogue No. 11 2 17701 00 |
| SL-2770/T | Tags     | Catalogue No. 11 2 17702 00 |
| SL-2770/P | Pins     | Catalogue No. 11 2 17703 00 |

**WARNING:** Fire, explosion, and severe burn hazard. Do not recharge, disassemble, heat above 100 °C, incinerate, or expose contents to water.

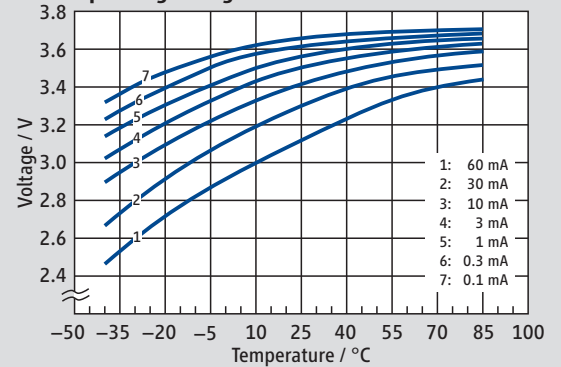
### Typical Discharge Curves at +25 °C



### Available Capacity



### Operating Voltage



### Voltage Response at +25 °C, Pulse: 40 mA

