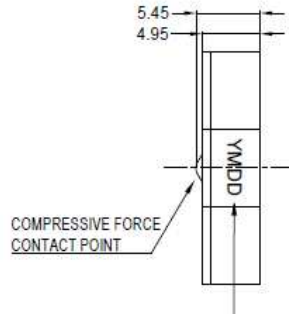
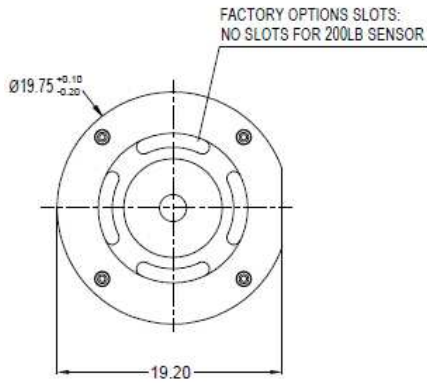
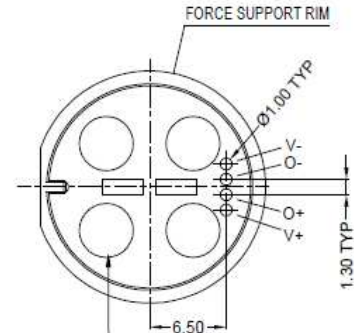


## DIMENSIONS

### FX1900-0000

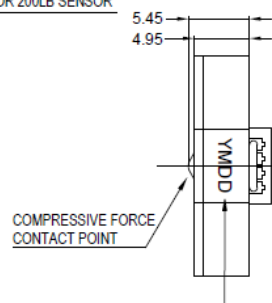
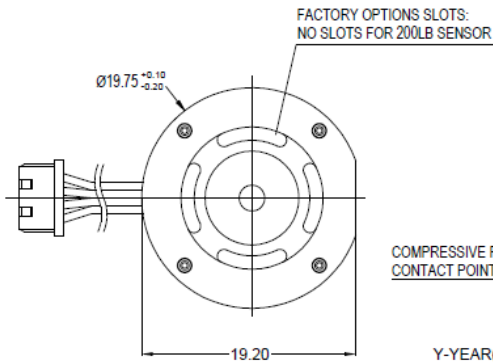


Y-YEAR(1-2011,2-2012,3-2013.....);  
M-MONTH(1-Jan,2-Feb.....A-Oct,B-Nov,C-Dec);  
DD-DATE.  
NOTED WITH OILINESS PEN.

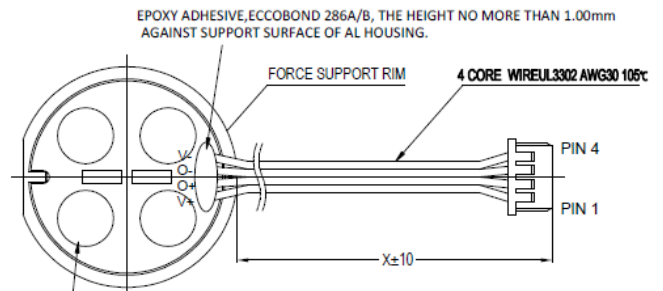


DELICATE SENSOR ELEMENTS INSIDE THE 4 BUMPS  
PROTRUDING 1.0MM MAX ABOVE RIM, DO NOT APPLY  
ANY FORCE.

### FX1900-XXX1

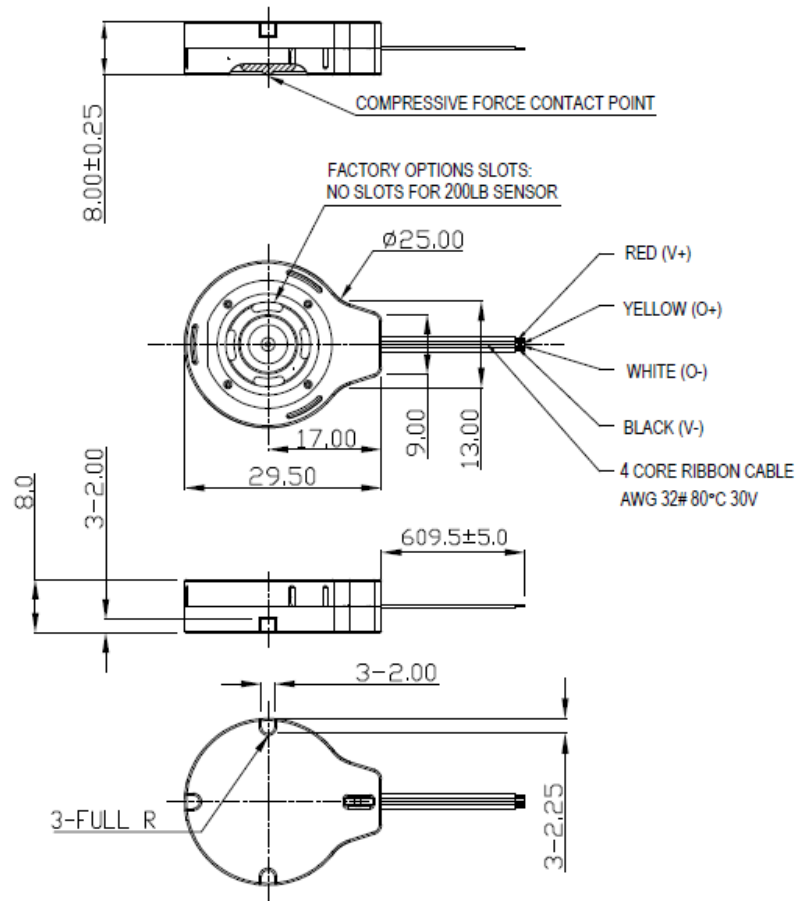


Y-YEAR(1-2011,2-2012,3-2013.....);  
M-MONTH(1-Jan,2-Feb.....A-Oct,B-Nov,C-Dec);  
DD-DATE.  
NOTED WITH OILINESS PEN.



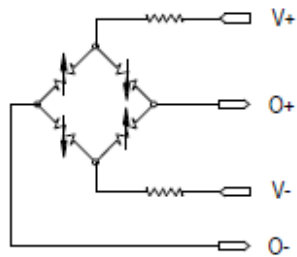
THE PUMP OF RUBBER SHOULD BE FREE FROM PRESS & SCRATCH.  
THE HIGHNESS NO MORE THAN 1.0mm AGAINST SUPPORT SURFACE  
OF AL HOUSING.

# FX1901-0001



## WIRING INFORMATION

### FX1900-0000



### FX1900-XXX1 FX1901-0001

