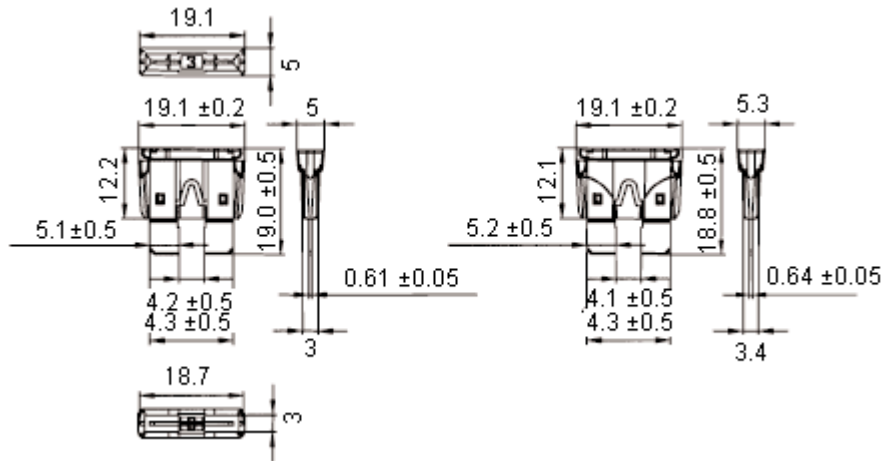


# Automotive Fuses



## ATO Type



### Specifications :

- Transparent body
- Voltage rating : 32 V and less
- Equivalent ATO and ATC fuses
- Option : Gold plated terminal available

Dimensions : Millimetres

### Specification Table

Limits for Pre-Arcing Time							
Inches	1.1 Inches	1.35 Inches		2 Inches		3.5 Inches	
	Minimum	Minimum	Maximum	Minimum	Maximum	Minimum	Maximum
2 A	4 h	350 ms	1,800 s	100 ms	5 s	20 ms	500 ms
3 A - 40 A	4 h	750 ms	1,800 s	150 ms	5 s	80 ms	500 ms

Dimensions : Millimetres

### Part Number Table

Description	Body Colour	Part Number
Fuse, ATO, 3 A	Violet	MCATQ 3A 32V
Fuse, ATO, 4 A	Pink	MCATQ 4A 32V
Fuse, ATO, 5 A	Tan	MCATQ 5A 32V
Fuse, ATO, 7.5 A	Brown	MCATQ 7.5A 32V
Fuse, ATO, 10 A	Red	MCATQ 10A 32V
Fuse, ATO, 15 A	Light Blue	MCATQ 15A 32V
Fuse, ATO, 20 A	Yellow	MCATQ 20A 32V
Fuse, ATO, 25 A	Natural	MCATQ 25A 32V
Fuse, ATO, 30 A	Light Green	MCATQ 30A 32V
Fuse, ATO, 35 A	Purple	MCATQ 35A 32V

**Important Notice :** This data sheet and its contents (the "Information") belong to the members of the Premier Farnell group of companies (the "Group") or are licensed to it. No licence is granted for the use of it other than for information purposes in connection with the products to which it relates. No licence of any intellectual property rights is granted. The Information is subject to change without notice and replaces all data sheets previously supplied. The Information supplied is believed to be accurate but the Group assumes no responsibility for its accuracy or completeness, any error in or omission from it or for any use made of it. Users of this data sheet should check for themselves the Information and the suitability of the products for their purpose and not make any assumptions based on information included or omitted. Liability for loss or damage resulting from any reliance on the Information or use of it (including liability resulting from negligence or where the Group was aware of the possibility of such loss or damage arising) is excluded. This will not operate to limit or restrict the Group's liability for death or personal injury resulting from its negligence. Multicomp is the registered trademark of the Group. © Premier Farnell plc 2012.