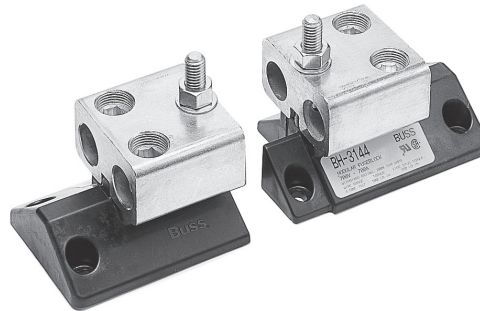


# BH-3 modular fuse blocks, 700 V, 700 A

RoHS



## Agency information

- UL® Recognized, Guide IZLT2, File E14853 up to 700 V
- CSA® Certified, Class 6225-01, File 47235 up to 700 V
- CE
- RoHS compliant

## Materials

- Base - light-weight, high temperature thermoplastic
- Mounting studs - plated steel
- Washer - spring steel
- Nuts - plated steel
- Connector: tin-plated aluminum

## Conductors — AWG Cu

- Connector accepts 6 - 250 kcmil

## Catalog symbol:

- BH-3\_

## Description:

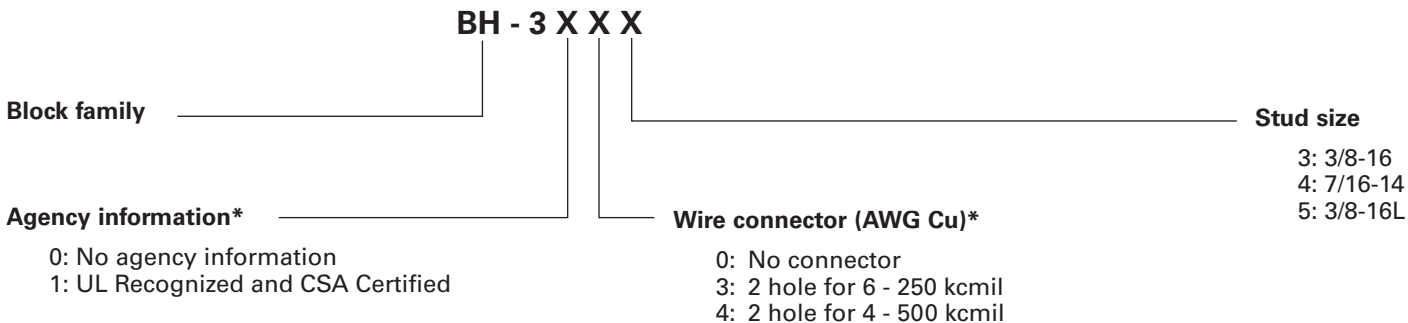
Bussmann™ series modular fuse blocks for bolt-on high speed, Class J (225-600 A), and 300 V and 600 V Class T (450-600 A) fuses. See mounting dimensions table for applicable Bussmann series fuse catalog numbers.

## Specifications:

### Ratings

- Volts - 700 V
- Amps - 700 A
- Withstand rating - 200 kA RMS Sym. or the applied fuse interrupting rating, whichever is less

**Catalog number build-a-code**



**Notes:**

1. The #4 connector must be used with either the 7/16-14 or the 3/8-16L stud.
2. The only compatible connector for the 7/16-14 stud is #4.
3. Always check applicable end use standards for required spacing between blocks, fuses or other hardware.
4. For applications above 700 V, consult appropriate electrical standard for proper creepage distances, clearance distances and insulator voltage withstand ratings.

\* Applicable only to BH-300\_ configuration — no agency information, no connector.

**Dimensions: — mm/in**

See Table 1 for A, B and C dimensions per fuse catalog symbol/ampacity and block catalog number from Build-a-Code.

