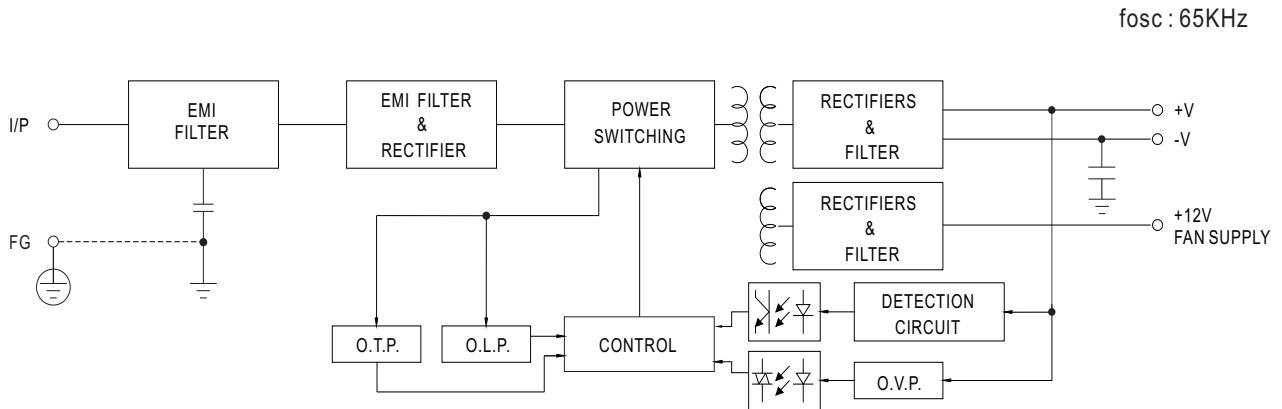
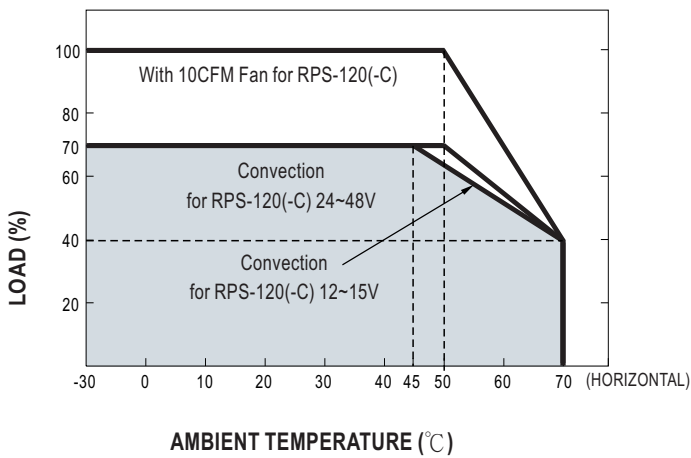


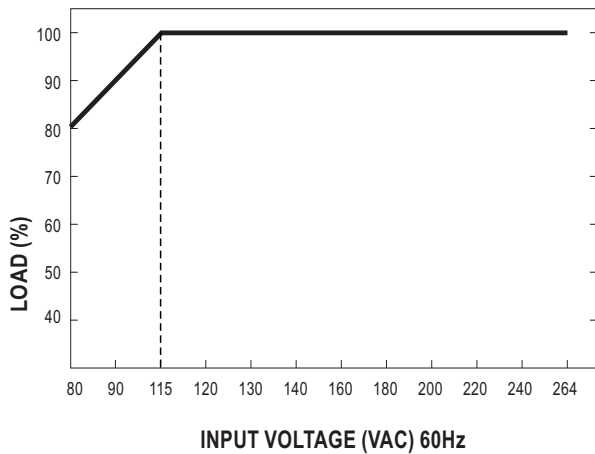
Block Diagram



Derating Curve



Output Derating VS Input Voltage



■ Mechanical Specification

● RPS-120 (PCB Type)

