

TDK-Lambda RWS1000/1500-B/ME Series

1000W to 1500W Single Output Medical Power Supplies

Features

- ◆ Cost Effective
- ◆ Wide Range AC Input 85 - 265VAC
- ◆ Enclosed Construction
- ◆ Compact Sizes
- ◆ 7 Year Warranty



Key Market Segments & Applications



Medical



RoHS

Specifications			
Model		RWS1000B/ME	RWS1500B/ME
AAC Input Voltage range (1)	VAC	85 - 265VAC (47 - 63Hz)	
DC Input Voltage range*	VDC	120 - 340VDC*	
Inrush Current (100 / 200VAC)	A	60 / 60A	
Power Factor (100 / 200VAC)	-	Meets EN61000-3-2 (0.98 / 0.95)	
Input Current (100/200VAC) (Typ)	A	13 / 7A	19 / 10A
Temperature Coefficient	%/°C	<0.02%/°C	
Regulation	-	See Model Selector	
Overcurrent Protection	-	>105%, Constant Current Style. After 5s unit will shutdown	
Overvoltage Protection	V	120-145% (115-125% for 48V), Cycle AC line to reset	
Hold Up Time (Typ at 100% load)	ms	20ms	
Leakage Current (max)	mA	<0.3mA	
Remote Sense	-	Yes	
Remote On/Off	-	See options table. Apply external voltage to enable output voltage	
DC Good, Fan Alarm	-	See options table	
Parallel Operation	-	See options table	
Series Operation	-	Yes	
Operating Temperature	°C	-20 to +60°C, derate linearly to 60% load from 50 to 60°C	
Storage Temperature	°C	-30 to +75°C	
Operating Humidity (non condensing)	%RH	20 - 90%RH	
Storage Humidity (non condensing)	%RH	10 - 90%RH	
Cooling	-	Internal Fan, air intake from input/output terminals	
Withstand Voltage	VAC	Input to Ground 2kVAC (1xMoPP), Input to Output 4kVAC (2xMoPP), Output to Ground 1.5kVAC (1xMoPP) for 1 min.	
Isolation Resistance	MΩ	>100MΩ at 25°C & 70%RH, Output to Ground 500VDC	
Vibration (non operating)	-	10 - 55Hz: 19.6m/s ² (sweep 1 min) X, Y, Z for 1 hour	
Shock	-	< 196.1 m/s ²	
Safety Agency Certifications	-	ES60601-1, CSA60601, EN60601-1, CE Mark	
Line Dips	-	SEMI-F47 (200VAC input)	
Conducted & Radiated EMI	-	EN55011 / EN55032-A, FCC Class A, VCCI-A	
Immunity	-	IEC61000-4-2, -3, -4, -5, -6, -8, -11, IEC61000-6-2, EN60601-1-2	
Weight (Typ)	g	2,000g	3,000g
Size (WxHxD)	mm	127 x 63 x 198mm	127 x 63 x 261mm
	In	5 x 2.48 x 7.8"	5 x 2.48 x 10.28"
MTBF - Telcordia SR-332 issue 3**	hours	1,834,313	1,222,361
Warranty	ys	Seven Years	

*Safety certified for AC input only

**24V output model, 25°C ambient, full load, 230VAC input

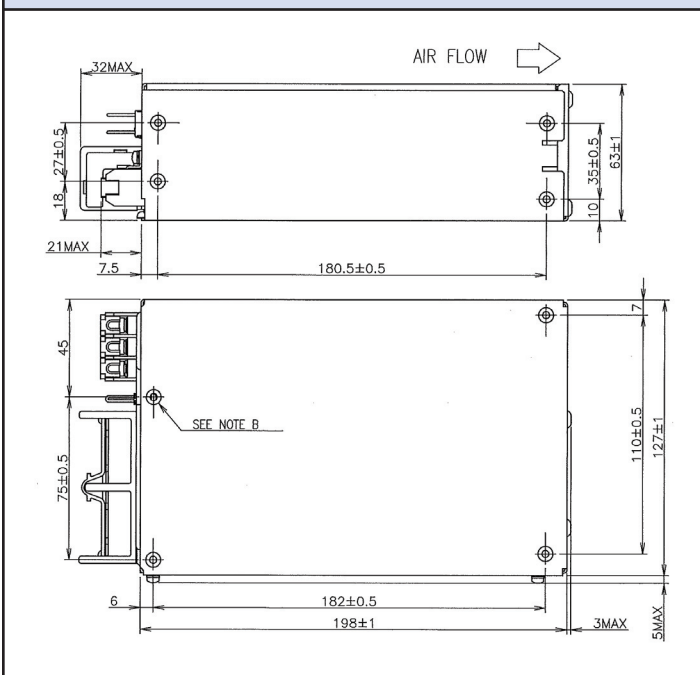
(1) Derate linearly to 80% load from 90 to 85VAC input

TDK-Lambda RWS1000/1500-B/ME Series

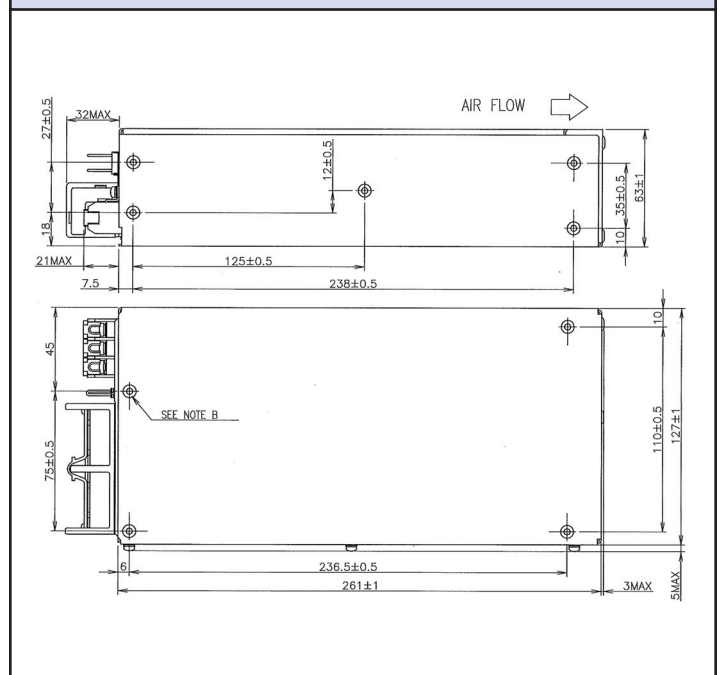
Output Ratings

Model	Voltage	Adjust Range (V)	Max Current (A)	Max Output Power (w)	Load Reg (mV)	Line Reg (mV)	Ripple Noise (mV)	Efficiency (typ) % 115/230VAC
RWS1000B-12/ME	12V	10.2-13.8V	84	1008	96	48	150	82 / 85
RWS1500B-12/ME	12V	10.2-13.8V	125	1500	96	48	150	81 / 85
RWS1000B-15/ME	15V	12.8-17.2V	67	1005	120	60	150	82 / 85
RWS1500B-15/ME	15V	12.8-17.2V	100	1500	120	60	150	82 / 85
RWS1000B-24/ME	24V	20.4-27.6V	42	1008	144	96	180	85 / 88
RWS1500B-24/ME	24V	20.4-27.6V	63	1512	144	96	180	85 / 88
RWS1000B-36/ME	36V	30.6-41.4	28	1008	216	144	250	85 / 88
RWS1500B-36/ME	36V	30.6-41.4	42	1512	216	144	250	85 / 88
RWS1000B-48/ME	48V	40.8-52.8	21	1008	288	192	300	85 / 88
RWS1500B-48/ME	48V	40.8-52.8	32	1536	288	192	300	85 / 88

Outline Drawing RWS 1000B



Outline Drawing RWS 1500B



Options (Contact Sales for availability)

Suffix	Description
/CO2	Double Sided Board Coating
/FO	Parallel Operation, DC Good and Fan Alarm Signals
/R	Remote On/Off
/RF	Reverse Fan (Air exits over input/output terminals)
/RFO	Remote On/Off, Parallel Operation, DC Good and Fan Alarm Signals

For Additional Information, please visit us.tdk-lambda.com/lp/products/rwsb-series.htm

