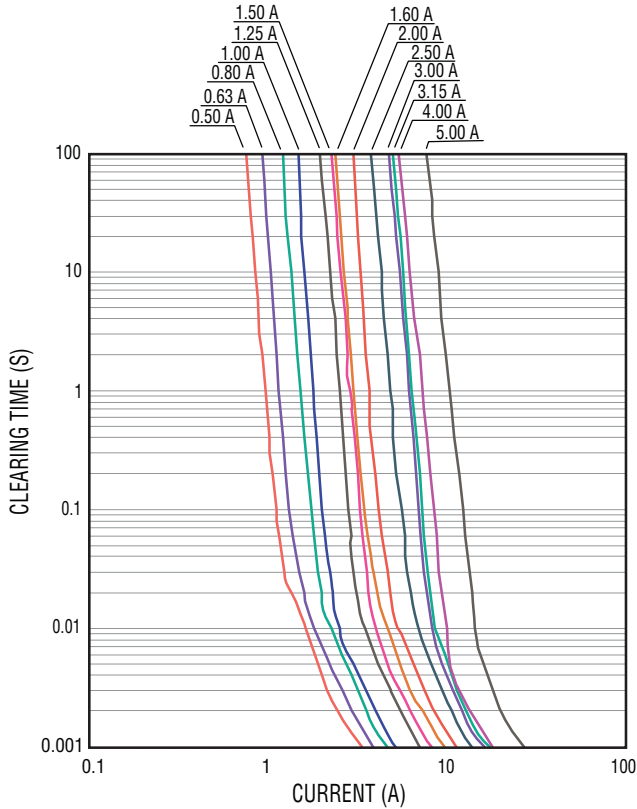
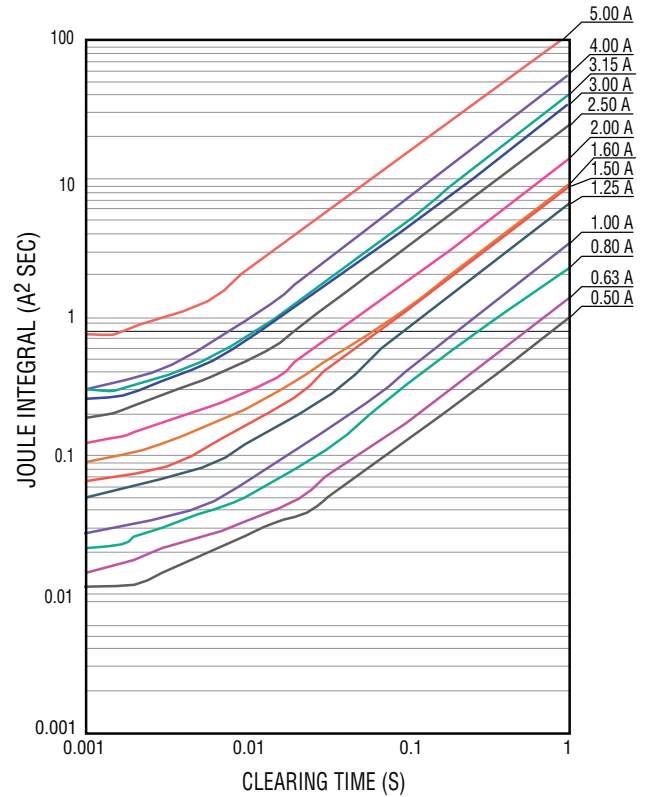


SF-0603FP Series - Fast Acting Precision Surface Mount Fuses **BOURNS®**

Average Time Current Curves



Minimum I²T V Clear Time Curves



Typical Part Marking

Represents total content. Layout may vary.



| RATED CURRENT (A) | |
|-------------------|----------|
| F = 0.50 | S = 2.00 |
| I = 0.63 | T = 2.50 |
| K = 0.80 | 3 = 3.00 |
| L = 1.00 | U = 3.15 |
| M = 1.25 | W = 4.00 |
| P = 1.50 | Y = 5.00 |
| N = 1.60 | |

How to Order

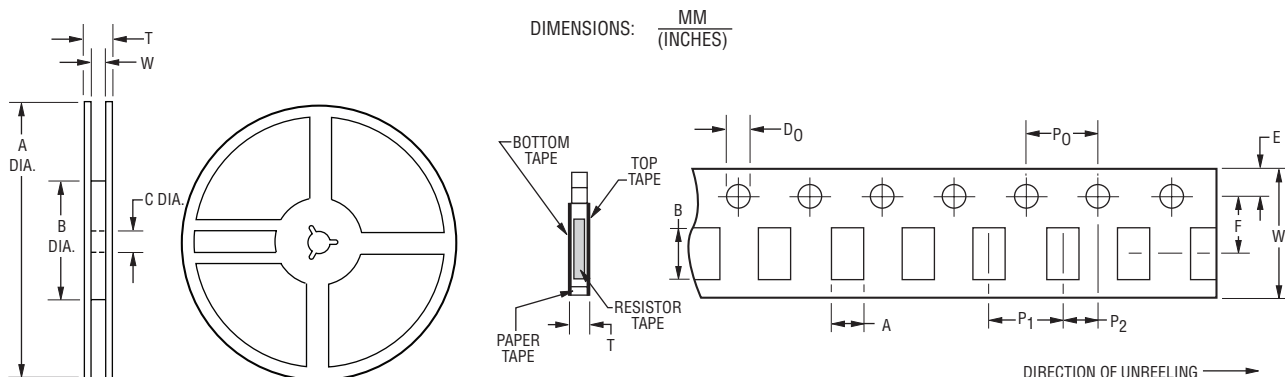
SF - 0603 FP 050 - 2

SinglFuse™
 Product Designator _____
 SMD Footprint _____
 1608 (EIA 0603) size
 Fuse Blow Type _____
 FP = Fast acting precision
 Rated Current _____
 050-500 (500 mA - 5.00 A)
 Packaging Type _____
 - 2 = Tape & Reel (5,000 pcs./reel)

SF-0603FP Series Tape and Reel Specifications

BOURNS®

| Tape Dimensions | SF-0603FP Series per EIA 481-2 |
|------------------------|---|
| W | $\frac{8.0 \pm 0.2}{(.315 \pm .008)}$ |
| P ₀ | $\frac{4.0 \pm 0.1}{(.157 \pm .004)}$ |
| P ₁ | $\frac{4.0 \pm 0.1}{(.157 \pm .004)}$ |
| P ₂ | $\frac{2.0 \pm 0.05}{(.079 \pm .002)}$ |
| A | $\frac{1.1 \pm 0.1}{(.043 \pm .004)}$ |
| B | $\frac{1.9 \pm 0.1}{(.075 \pm .004)}$ |
| F | $\frac{3.5 \pm 0.05}{(.138 \pm .002)}$ |
| E | $\frac{1.75 \pm 0.1}{(.069 \pm .004)}$ |
| D ₀ | $\frac{1.5 + 0.1/-0}{(.059 + .004/-0)}$ |
| T | $\frac{0.64 \pm 0.1}{(.025 \pm .004)}$ |
| Reel Dimensions | |
| A | $\frac{180 +0/-3.0}{(7.087 +0/-118)}$ |
| B Min. | $\frac{60.0}{(2.362)}$ |
| C | $\frac{13.0 \pm 1.0}{(.512 \pm .039)}$ |
| W | $\frac{9.0 \pm 1.0}{(.354 \pm .039)}$ |
| T | $\frac{11.4 \pm 2.0}{(.449 \pm .079)}$ |



Specifications are subject to change without notice.
 Users should verify actual device performance in their specific applications.
 The products described herein and this document are subject to specific legal disclaimers set forth on the last page of this document, and at www.bourns.com/docs/legal/disclaimer.pdf.