

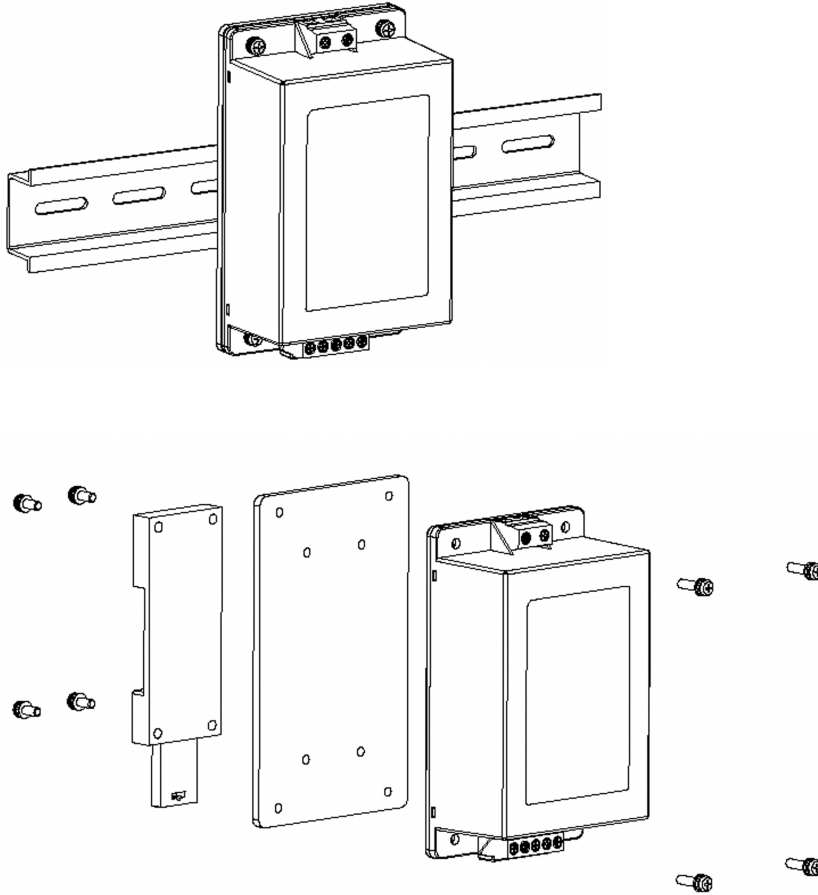
General Specifications

| | | |
|---|--|---|
| Temperature ranges | <ul style="list-style-type: none"> - Operating (natural convection cooling 20 LFM) - Power derating above +60°C - Storage (non operating) | -40°C to +80°C 3.75 %/K -40°C to +95°C |
| Over temperature protection | shutdown: automatic recovery: | above 90°C (at 142°C internal IC temperature) at approx 67°C |
| Humidity (non condensing) | | 95 % rel max. |
| Altitude during operation | | 5000 m |
| Switching frequency (pulse width modulation PWM) | | 130 kHz typ. |
| Hold-up time | 115 VAC: 230 VAC: | 25 ms typ. 80 ms typ. |
| Isolation voltage | - Input/Output | 4'000 VAC |
| Isolation resistance | - at 500 VDC | 1'000 MOhm |
| Reliability /calculated MTBF (MIL-HDBK-217F, at +25°C, ground benign) | | >200'000 h |
| EMI / RFI conducted and radiated | | EN 55022, class B, FCC part 15, level B EN 55011 class B |
| Electromagnets compatibility (EMC), immunity | <ul style="list-style-type: none"> - Electrostatic discharge ESD - RF field immunity - Electrical fast transients/burst immunity - Surge - Conducted RF - Magnetic field immunity - Voltage dip and interruptions (115 VAC / 60 Hz) | IEC / EN 61000-4-2, 8kV/4kV perf. criteria A IEC / EN 61000-4-3, 10V/m perf. criteria A IEC / EN 61000-4-4, ±2kV perf. criteria A IEC / EN 61000-4-5, ±1kV perf. criteria A IEC / EN 61000-4-6, 10 Vr.m.s perf. criteria A IEC / EN 61000-4-8, 30 A/m perf. criteria A IEC / EN 61000-4-11 30%,10ms perf. criteria A IEC / EN 61000-4-11 60%,10ms perf. criteria A IEC / EN 61000-4-11 95%, 5s perf. criteria B |
| Protection class II | | according IEC/EN 60536 |
| Safety standards | | UL 60950-1, IEC/EN 60950-1, IEC/EN 60601-1 3rd edition, 2 x MOPP ANSI/AAMI ES60601-1:2005(R)2012 UL 508 for chassis mount version www.tracopower.com/overview/tmm40 |
| | - Certification documents | |
| Casing material | | plastic resin (UL 94V-0 rated) |
| Environmental compliance | <ul style="list-style-type: none"> - Reach - RoHS | www.tracopower.com/products/reach-declaration.pdf RoHS directive 2011/65/EU |

All specifications valid at nominal input voltage, full load and +25°C after warm-up time unless otherwise stated.

DIN-Rail Mounting Kit

Adapter for mounting on DIN-rails as per EN 50022-35 (snap-on mounting)



DIN-Rail Mounting Kit

| Order code | For models |
|------------|------------|
| TMP-MK2 | TMM 40xxxC |

Kit contains interface plate, DIN-rail clip and necessary screws.

All specifications valid at nominal input voltage, full load and +25°C after warm-up time unless otherwise stated.