

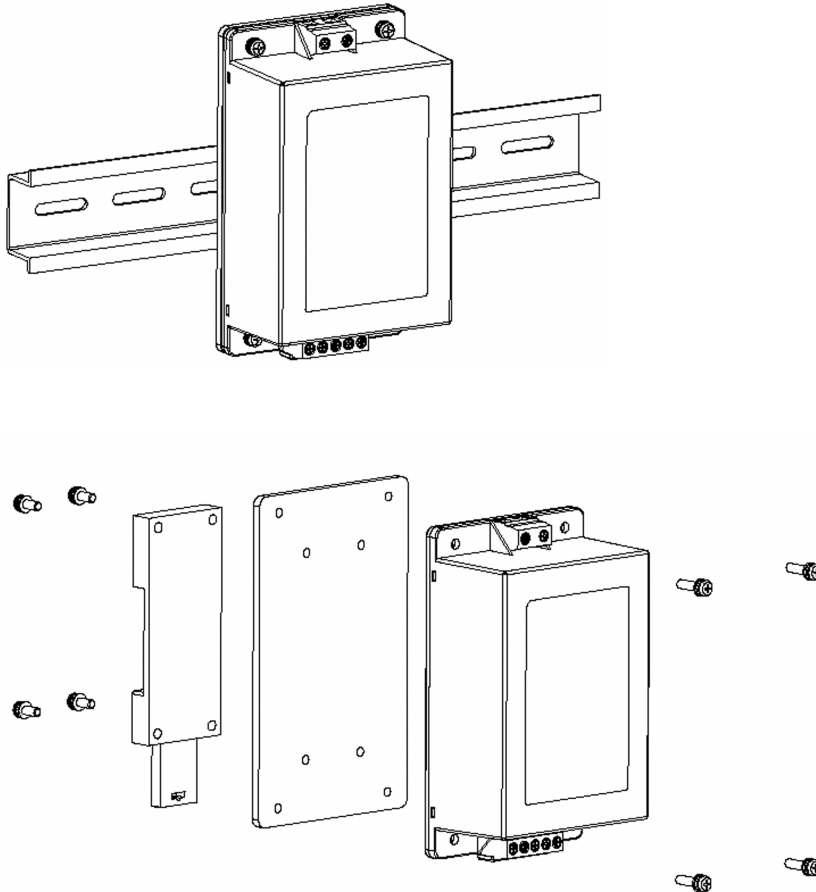
General Specifications

Temperature ranges	– Operating (natural convection cooling 20 LFM) – Power derating above +60°C – Storage (non operating)	–40°C to +75°C 3.75 %/K –40°C to +95°C
Humidity (non condensing)		95 % rel max.
Altitude during operation		5000 m
Switching frequency (pulse width modulation PWM)		100 kHz typ.
Hold-up time		115 VAC: 20 ms typ. 230 VAC: 80 ms typ.
Isolation voltage	– Input/Output (reinforced)	4'000 VAC
Isolation resistance	– at 500 VDC	1'000 MOhm
Reliability /calculated MTBF (MIL-HDBK-217F, at +25°C, ground benign)		>125'000 h
EMI / RFI conducted and radiated		EN 55022, class B, FCC part 15, level B EN 55011 class B
Electromagnets compatibility (EMC), immunity	– Electrostatic discharge ESD – RF field immunity – Electrical fast transients/burst immunity – Surge – Conducted RF – Magnetic field immunity	IEC / EN 61000-4-2, 8kV/4kV perf. criteria A IEC / EN 61000-4-3, 10V/m perf. criteria A IEC / EN 61000-4-4, ±2kV perf. criteria A IEC / EN 61000-4-5, ±1kV perf. criteria A IEC / EN 61000-4-6, 10 Vr.m.s perf. criteria A IEC / EN 61000-4-8, 30A/m perf. criteria A
Voltage dip and interruptions according to EN 61000-4-11 reference: 115 VAC / 60Hz		30%, 10ms perf. criteria A 60%, 100ms perf. criteria A 95%, 5000ms perf. criteria B
Protection class II		according IEC/EN 60536
Safety standards		UL 60950-1, IEC/EN 60950-1, IEC/EN 60601-1 3rd edition, 2 x MOPP ANSI/AAMI ES60601-1:2005(R)2012 UL 508 for chassis mount version www.tracopower.com/overview/tmm60
	– Certification documents	
Casing material		plastic resin (UL 94V-0 rated)
Environmental compliance	– Reach – RoHS	www.tracopower.com/products/reach-declaration.pdf RoHS directive 2011/65/EU

All specifications valid at nominal input voltage, full load and +25°C after warm-up time unless otherwise stated.

DIN-Rail Mounting Kit

Adapter for mounting on DIN-rails as per EN 50022-35 (snap-on mounting)

**DIN-Rail Mounting Kit**

Order code	For models
TMP-MK2	TMM 60xxxC

Kit contains interface plate, DIN-rail clip and necessary screws.

All specifications valid at nominal input voltage, full load and +25°C after warm-up time unless otherwise stated.