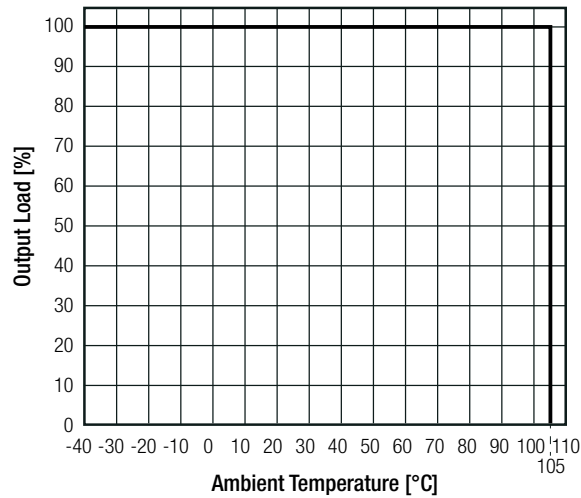


Specifications (measured @ Ta= 25°C, full load, nominal input voltage and after warm-up)

Derating Graph



SAFETY AND CERTIFICATIONS

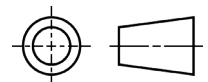
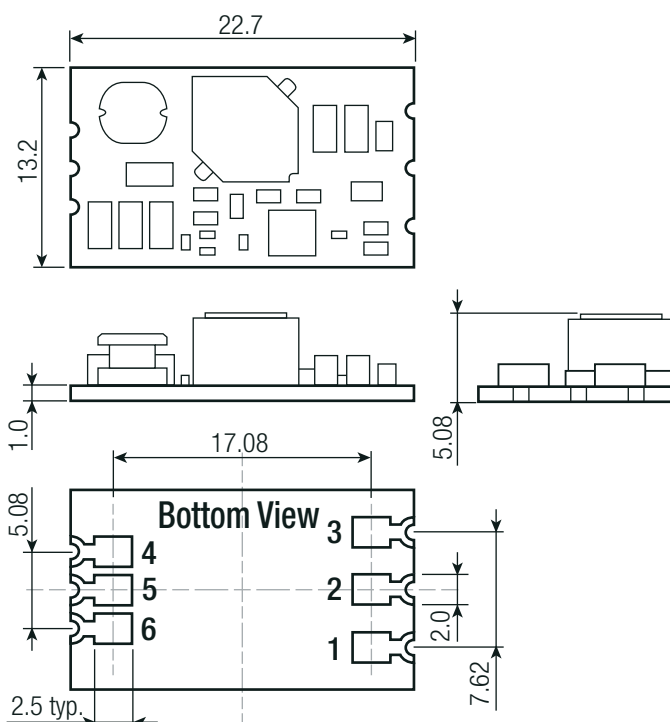
Certificate Type	Report / File Number	Standard
Information Technology Equipment - General Requirments for Safety	L0339m12-A-L	EN60950-1, 2nd Edition, A2:2013
EAC	RU-AT.49.09571	TP TC 004/2011
RoHS 2+		RoHS 2011/65/EU + AM2015/863

EMC Compliance	Condition	Standard / Criterion
Electromagnetic compatibility of multimedia equipment - Emission requirements	without external filter	EN55032, Class A and B

DIMENSION and PHYSICAL CHARACTERISTICS

Parameter	Type	Value
Material	PCB	FR4, (UL94 V-0)
Package Dimension (LxWxH)		22.7 x 13.2 x 5.08mm
Package Weight		2.2g typ.

Dimension Drawing (mm)



Pin Connections

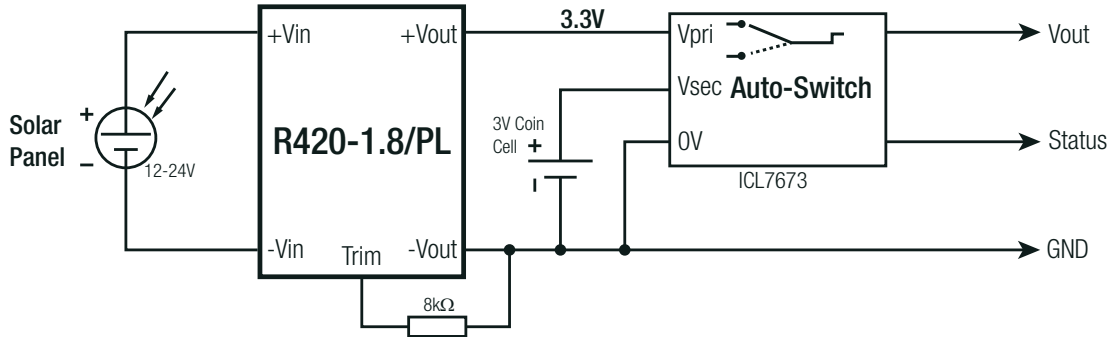
Pin #	Function
1	-Vin
2	+Vin
3	CTRL
4	+Vout
5	-Vout
6	TRIM

Tolerance: xx.x= ±0.5mm
xx.xx= ±0.25mm

Specifications (measured @ Ta= 25°C, full load, nominal input voltage and after warm-up)

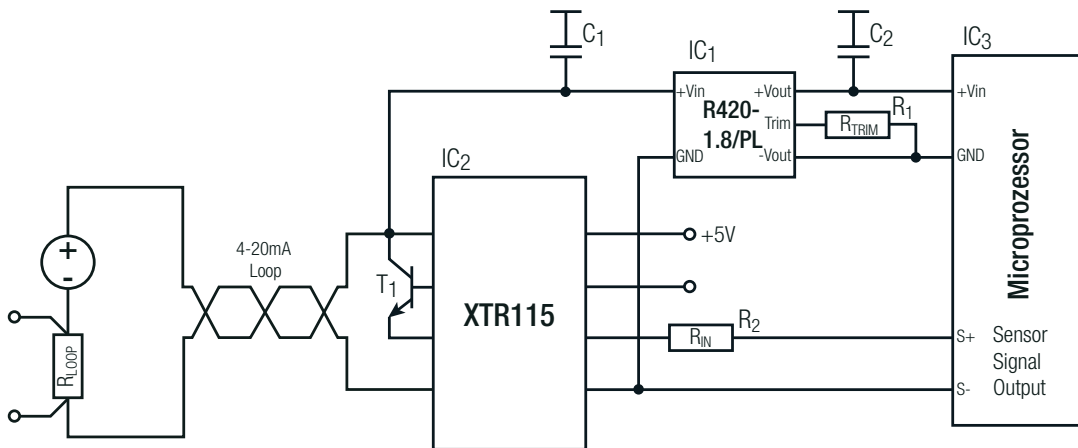
INSTALLATION and APPLICATION

Solar Application



Solar-powered regulated 3.3V supply with automatic switch-over to 3V battery back-up.

Sensor Application



HART-Application

