

**Relay for control panel of
1A to 10A (1c/2c/3c/4c)**

HC RELAYS



Standard type



Amber sealed type



With diode type

RoHS compliant

FEATURES

1. Standard type and Amber sealed type
2. Rich lineup includes relays with operating indication, with diode
3. Full range of types
Plug-in type, PC board type and TM type
4. Sockets and terminal sockets are available.

TYPICAL APPLICATIONS

1. Factory automation equipment and automotive devices
2. Control panels, power supply equipment, molding equipment, machine tools, welding equipment, agricultural equipment, etc.
3. Office equipment, automatic vending machines, telecommunications equipment, disaster prevention equipment, copiers, measuring devices, medical equipment, amusement devices, etc.
4. All types of household appliance

ORDERING INFORMATION

Standard type

HC - - -

Contact arrangement
1: 1 Form C
2: 2 Form C
3: 3 Form C
4: 4 Form C
4D: Bifurcated contact (twin)

Terminal arrangement
H: Plug-in type
HL: Plug-in with LED indication
HP: PC board type
HPL: PC board with LED indication
HTM: TM type

Nominal coil voltage
AC 6, 12, 24, 48, 100 (100/110), 120 (110/120),
200 (200/220), 240 (220/240) V
DC 6, 12, 24, 48, 100 (100/110) V

Contact material

| Contact arrangement | Contact material | AgSnO ₂ type | AgNi type |
|--------------------------|------------------|-------------------------|-----------|
| 1 Form C | | F | |
| 2 Form C | | F | |
| 3 Form C | | F | |
| 4 Form C | | | Nil |
| 4-pole bifurcated (twin) | | | Nil |

Amber sealed type

HC - - -

Contact arrangement
1: 1 Form C
2: 2 Form C
4: 4 Form C

Nil: Standard type
E: Amber sealed type
ED: Amber sealed type bifurcated contact (twin) (Only 4 Form C)

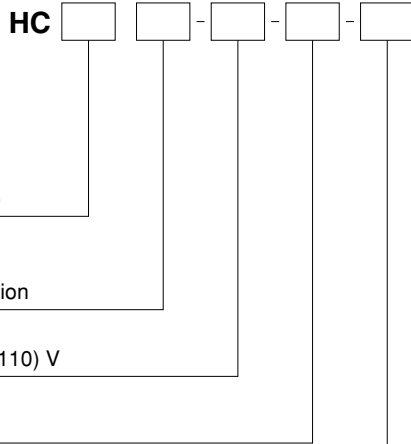
Terminal arrangement
H: Plug-in type
L: Plug-in with LED indication
HP: PC board type
PL: PC board with LED indication
HTM: TM type

Nominal coil voltage
AC 6, 12, 24, 48, 100 (100/110), 120 (110/120),
200 (200/220), 240 (220/240) V
DC 6, 12, 24, 48, 100 (100/110) V

Contact material

| Contact arrangement | Contact material | AgSnO ₂ type | AgNi type |
|--------------------------|------------------|-------------------------|-----------|
| 1 Form C | | F | |
| 2 Form C | | F | |
| 4 Form C | | | Nil |
| 4-pole bifurcated (twin) | | | Nil |

With diode type (For DC)



Contact arrangement

- 1: 1 Form C
- 2: 2 Form C
- 3: 3 Form C
- 4: 4 Form C
- 4D: Bifurcated contact (twin)

Terminal arrangement

- Nil: Plug-in type
- L: Plug-in with LED indication

Nominal coil voltage

DC: 6, 12, 24, 48, 100 (100/110) V

Surge suppression

- D: With diode

Contact material

| Contact arrangement | Contact material | AgSnO ₂ type | AgNi type |
|--------------------------|------------------|-------------------------|-----------|
| 1 Form C | | F | |
| 2 Form C | | F | |
| 3 Form C | | F | |
| 4 Form C | | | Nil |
| 4-pole bifurcated (twin) | | | Nil |

LINEUP

| Type | Contact arrangement | Plug-in terminal type | | PC board terminal type | | Top mounting type (TM type) | Remarks |
|--|---------------------|---------------------------|--------------------|----------------------------|----------|---------------------------------|-------------------------------------|
| | | Without LED | With LED | Without LED | With LED | | |
| | | HC relay Standard type | Single side stable | 1 Form C | A | | |
| 2 Form C | A | | | A | A | A | |
| 3 Form C | A | | | A | A | A | |
| 4 Form C | A | | | A | A | A | |
| Bifurcated (Twin) | 4 Form C | | A | A | A | A | |
| HC relay Amber sealed type | Single side stable | 1 Form C | A | A | A | A | |
| | | 2 Form C | A | A | A | A | |
| | | 4 Form C | A | A | A | A | |
| | Bifurcated (Twin) | 4 Form C | A | A | A | A | |
| DC type with surge absorbing diode | Single side stable | 1 Form C | A | A | — | — | Amber sealed type also available |
| | | 2 Form C | A | A | — | — | |
| | | 3 Form C | A | A | — | — | |
| | | 4 Form C | A | A | — | — | |
| | Bifurcated (Twin) | 4 Form C | A | A | — | — | |

A: Available

Notes: 1. HC relays with ground terminals also available.

2. HC relays with 0.9 mm wide PC board terminals also available.

HC RELAY CONTACT ARRANGEMENT

| Type | Single side stable contact | 4-pole bifurcated (twin) contact |
|-------------|--|--|
| Part number | HC□ | HC4D |
| Features | Suitable for high-capacity load switching Standard type HC relays have high single-contact capacity; 1 Form C: 10 A 2 Form C and 3 Form C: 7 A 4 Form C: 5 A | Bifurcated (twin) contact ensures high contact reliability Suitable for low level loads Minimum switching capability: 100 μA 100m V DC (reference value) |