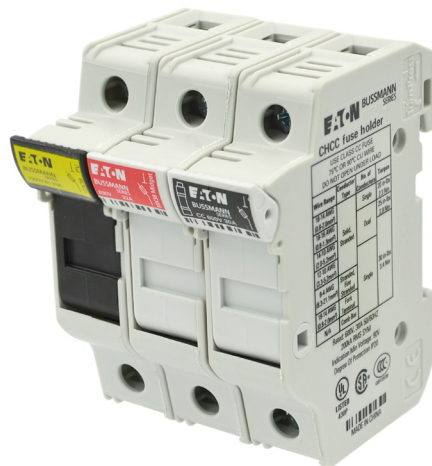


CH Modular, IP20 finger-safe DIN-Rail holders for Class CC, midget and PV fuses



Catalog symbol:

- CHCC_ (Class CC)
- CHM_ (UL® midget/IEC 10x38)
- CHPV_ (13/32 x 1-1/2 and 10x38 photovoltaic)

Description:

Eaton's Bussmann™ series CH DIN-Rail fuse holders are for UL Class CC and midget fuses, and IEC 10x38 fuses. They are available with and without indication in 1-, 2- and 3-pole IP20 finger-safe versions. A variety of accessories extends their application flexibility and they may be ganged together to meet specific application requirements.

For other Bussmann series CH fuse holders, please see the following data sheets.

Fuse class	Fuse size	Data sheet No.
Class J	30 and 60A	2144
	8x32mm	720147
IEC	14x51mm	10080
	22x58mm	10015

Specifications:

Ratings

- Volts
 - 600 V (or less) UL
 - 690 V (or less) IEC
 - 1000 Vdc (or less) photovoltaic (PV)
- Amps
 - 30 A UL
 - 32 A IEC
- Short-Circuit Current Rating (SCCR)
 - 33 kA photovoltaic
 - 200 kA RMS Sym. (CHCC, CHM*)

* CHM SCCR is fuse interrupting rating dependent.

Agency information

- UL Listed File E14853, Guide IZLT, Recognized IZLT2
- UL Listed to E348242 and Guide IZMR (CHPV)
- CSA® File 47235, CHPV and CHM - Class 6225-30, CHCC - Class 6225-01
- IEC 60269-2 (CHM, CHPV)
- CCC
- RoHS compliant

Mounting

- 35mm DIN-Rail

Wire range

- 75°C and 90°C Cu
- #18 to #4 (0.8mm² to 21.1mm²)
 - Solid
 - Stranded
 - Fine stranded

Terminals

- Single or dual conductors
- Comb busbar
- Torque 30 Lb-In (3.4 N•m) maximum
- Terminal screws
 - Standard phil-slot
 - Optional hex head (order by adding "-H" suffix to the catalog number, e.g., CHM1DU-H)

Flammability

- UL 94V0, self-extinguishing

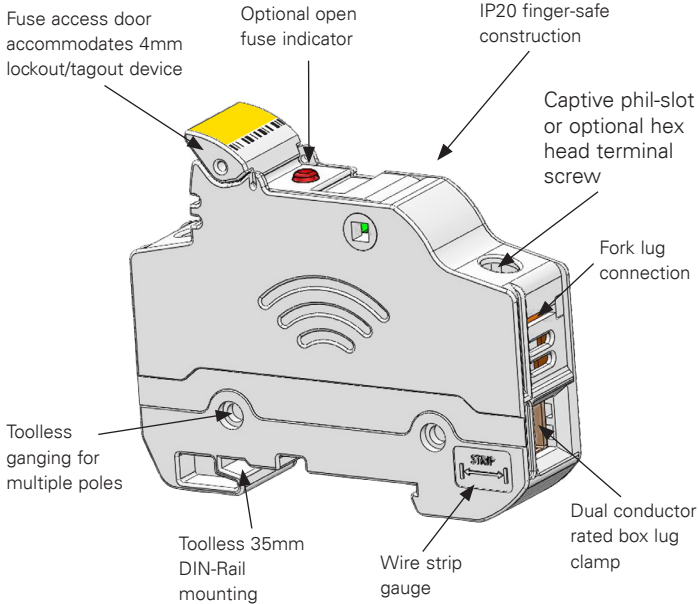
Storage and operating temperature

- -4°F (-20°C) to 194°F (90°C) indicating
- -4°F (-20°C) to 248°F (120°C) non-indicating

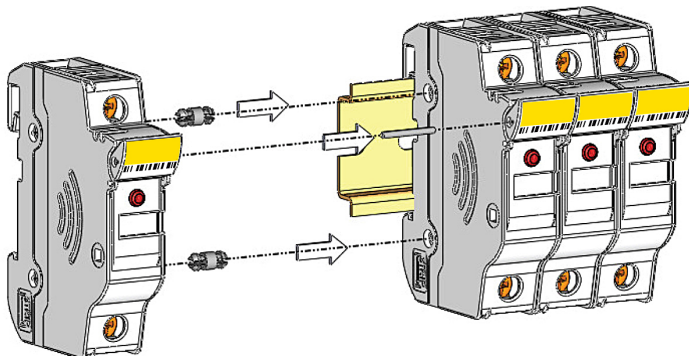
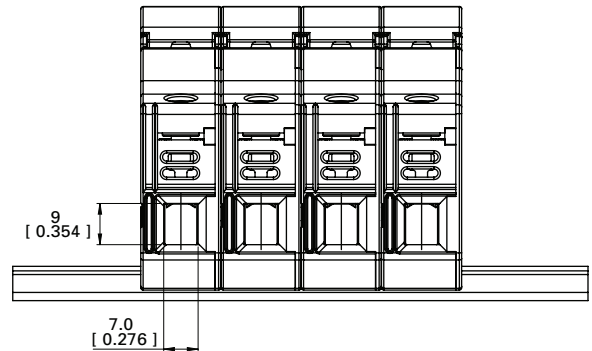
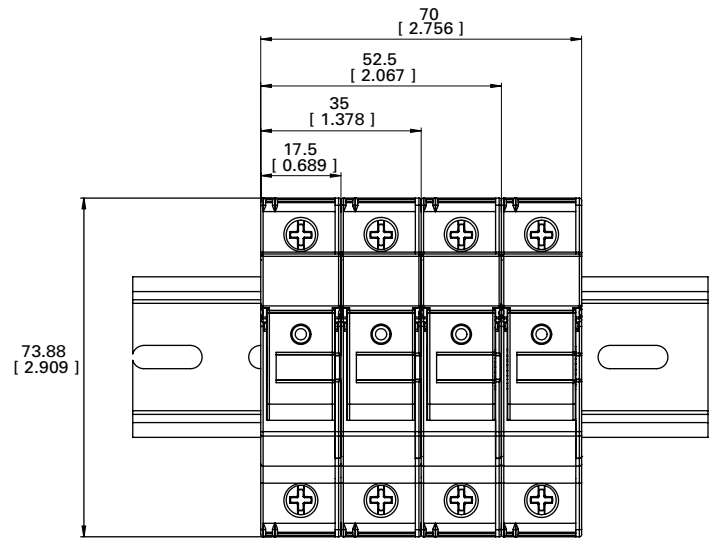
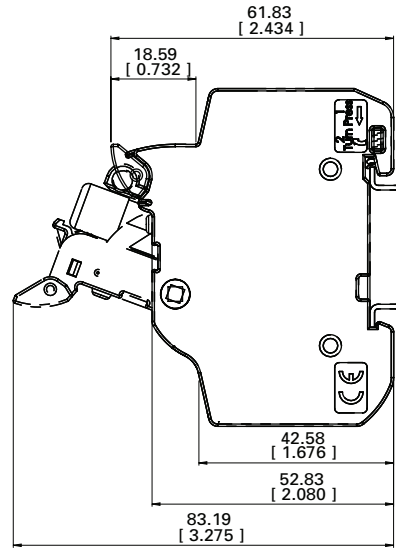
Features and benefits:

- High SCCR rated, UL Listed Class CC holder with optional open fuse indication for 600 Vac/dc and 48V dc (see catalog number table for details).
- Enhanced safety with IP20 finger-safe construction.
- UL Recognized midget and IEC 10x38 holders with factory assembled neutral pole option.
- Agency ratings up to 1000 Vdc for use with PV fuses.
- Available remote PLC indication module.
- Wiring flexibility with terminals rated for use with 75°C or 90°C solid, stranded and fine stranded wire, and spade terminals and comb-bus bars. (Use any higher temperature insulations at the 90°C ampacity.)
- Complete range of UL Listed and high SCCR rated one- and three-phase finger-safe comb-bus bars and power feed lugs.

Features:



Dimensions - mm (in):



Gang multiple poles to meet application requirements using kit catalog number JV-L (gangs up to four poles).